

ILCE-6300/6300L/6300M

SERVICE MANUAL

Ver. 1.2 2018.04

Revised-2

Replace the previously issued SERVICE MANUAL 9-896-773-12 with this Manual.



Photo: ILCE-6300 (Main body)/Black

LEVEL 3

*US Model
Canadian Model
AEP Model
UK Model
Russian Model
E Model
Indian Model
Australian Model
Chinese Model
Korea Model
Japanese Model
Tourist Model*

Check the SERVICE NOTE (LEVEL 2) before the service.

[About the service of this model]

ILCE-6300L/6300M are commodity that packed the Interchangeable Lens Digital Camera and Interchangeable Lenses. Refer to each following service manual the Interchangeable Lens kit, when you repair.

Model	Lens	Service Manual of Lens
ILCE-6300	No supplied lens	No supplied lens
ILCE-6300L	SELP1650 (E PZ 16-50mm F3.5-5.6 OSS)	9-834-693-1[]
ILCE-6300M	SEL18135 (E 18-135mm F3.5-5.6 OSS)	9-896-833-1[]

INTERCHANGEABLE LENS DIGITAL CAMERA

The components identified by mark \triangle or dotted line with mark \triangle are critical for safety. Replace only with part number specified.

Les composants identifiés par une marque \triangle sont critiques pour la sécurité. Ne les remplacer que par une pièce portant le numéro spécifié.

SONY®

Revision History

*: S.M. revised only top cover.

Ver.	Date	History	Contents	S.M. Rev. issued
1.0	2016.02	Official Release	—	—
1.1	2018.01	Revised-1 (A1 17-091)	• Addition of Silver Model. Page 2-2, 4-2, 4-5, 5-1, 6-43	Yes
1.2	2018.04	Revised-2 (A2 17-104)	• Addition of ILCE-6300M.	Yes*

Caution

Danger of explosion if battery is incorrectly replaced.
Replace only with the same or equivalent type.
Dispose of used batteries according to the instructions.

注意

如果电池更换不当会有爆炸危险。
只能用同样类型或等效类型的电池来更换。
务必按照说明处置用完的电池。

SAFETY-RELATED COMPONENT WARNING!!

COMPONENTS IDENTIFIED BY MARK \triangle OR DOTTED LINE WITH MARK \triangle ON THE SCHEMATIC DIAGRAMS AND IN THE PARTS LIST ARE CRITICAL TO SAFE OPERATION. REPLACE THESE COMPONENTS WITH SONY PARTS WHOSE PART NUMBERS APPEAR AS SHOWN IN THIS MANUAL OR IN SUPPLEMENTS PUBLISHED BY SONY.

ATTENTION AU COMPOSANT AYANT RAPPORT À LA SÉCURITÉ!

LES COMPOSANTS IDENTIFIÉS PAR UNE MARQUE \triangle SUR LES DIAGRAMMES SCHÉMATIQUES ET LA LISTE DES PIÈCES SONT CRITIQUES POUR LA SÉCURITÉ DE FONCTIONNEMENT. NE REMPLACER CES COMPOSANTS QUE PAR DES PIÈCES SONY DONT LES NUMÉROS SONT DONNÉS DANS CE MANUEL OU DANS LES SUPPLÉMENTS PUBLIÉS PAR SONY.

SAFETY CHECK-OUT

After correcting the original service problem, perform the following safety checks before releasing the set to the customer.

- Check the area of your repair for unsoldered or poorly-soldered connections. Check the entire board surface for solder splashes and bridges.
- Check the interboard wiring to ensure that no wires are “pinched” or contact high-wattage resistors.
- Look for unauthorized replacement parts, particularly transistors, that were installed during a previous repair. Point them out to the customer and recommend their replacement.
- Look for parts which, through functioning, show obvious signs of deterioration. Point them out to the customer and recommend their replacement.
- Check the B+ voltage to see it is at the values specified.
- Flexible Circuit Board Repairing
 - Keep the temperature of the soldering iron around 350°C during repairing.
 - Do not touch the soldering iron on the same conductor of the circuit board (within 3 times).
 - Be careful not to apply force on the conductor when soldering or unsoldering.

UNLEADED SOLDER

This unit uses unleaded solder.

Boards requiring use of unleaded solder are printed with the lead free mark (LF) indicating the solder contains no lead.

(Caution: Some printed circuit boards may not come printed with the lead free mark due to their particular size.)

**LEAD FREE MARK**

Be careful to the following points to solder or unsolder.

- Set the soldering iron tip temperature to 350°C approximately. If cannot control temperature, solder/unsolder at high temperature for a short time.

Caution: The printed pattern (copper foil) may peel away if the heated tip is applied for too long, so be careful!
Unleaded solder is more viscous (sticky, less prone to flow) than ordinary solder so use caution not to let solder bridges occur such as on IC pins, etc.
- Be sure to control soldering iron tips used for unleaded solder and those for leaded solder so they are managed separately. Mixing unleaded solder and leaded solder will cause detachment phenomenon.

Caution

電池の交換は、正しく行わないと破裂する恐れがあります。電池を交換する場合には必ず同じ型名の電池又は同等品と交換してください。使用済み電池は、取扱指示に従って処分してください。

サービス、点検時には次のことにご注意ください。

- 注意事項をお守りください。
サービスのとき特に注意を要する個所については、キャビネット、シャーシ、部品などにラベルや捺印で注意事項を表示しています。これらの注意書きおよび取扱説明書等の注意事項を必ずお守りください。
- 指定部品のご使用を
セットの部品は難燃性や耐電圧など安全上の特性を持ったものとなっています。従って交換部品は、使用されていたものと同じ特性の部品を使用してください。特に回路図、部品表に \triangle 印で指定されている安全上重要な部品は必ず指定のものをご使用ください。
- 部品の取付けや配線の引きまわしはもとどおりに安全上、チューブやテープなどの絶縁材料を使用したり、プリント基板から浮かして取付けた部品があります。また内部配線は引きまわしやクランプによって発熱部品や高圧部品に接近しないよう配慮されていますので、これらは必ずもとどおりにしてください。
- サービス後は安全点検を
サービスのために取外したネジ、部品、配線がもとどおりになっているか、またサービスした個所の周辺を劣化させてしまったところがないかなどを点検し、安全性が確保されていることを確認してください。
- チップ部品交換時の注意
 - 取外した部品は再使用しないでください。
 - タンタルコンデンサのマイナス側は熱に弱いため交換時は注意してください。
- フレキシブルプリント基板の取扱いについて
 - こて先温度を約350°Cに設定して行ってください。
 - 同一パターンに何度もこて先を当てないでください。(3回以内)
 - パターンに力が加わらないよう注意してください。

無鉛半田について

本機には無鉛半田が使用されています。無鉛半田を使用している基板には、無鉛(Lead Free)を意味するレッドフリーマークがプリントされています。**(注意:** 基板サイズによっては、無鉛半田を使用していてもレッドフリーマークがプリントされていないものがあります)



：レッドフリーマーク

無鉛半田は、下記の点に注意して使用してください。

- 半田こてのこて先温度は約350°Cに設定してください。温度調節が無理な場合は、高温短時間で作業を行ってください。**注意:** 半田こてを長く当てすぎると、基板のパターン(銅箔)がはがれてしまうことがありますので、注意してください。また、従来の半田よりも粘性が強いため、IC端子などが半田ブリッジしないように注意してください。
- 半田こてのこて先は、必ず無鉛半田用と有鉛半田用に分けて管理してください。無鉛半田と有鉛半田が混在すると剥離現象が発生してしまいます。

2. REPAIR PARTS LIST

- AN-1020
- BT-2011
- CN-1039
- FP-2045
- FPC-2010
- HP-1011
- IS-1027
- ISL-2005
- ISP-2004
- LC-1022

(ENGLISH)

- NOTE:
- -XX, -X mean standardized parts, so they may have some differences from the original one.
 - Items marked "*" are not stocked since they are seldom required for routine service. Some delay should be anticipated when ordering these items.
 - The mechanical parts with no reference number in the exploded views are not supplied.
 - Due to standardization, replacements in the parts list may be different from the parts specified in the diagrams or the components used on the set.
 - CAPACITORS:
uF: μF
 - COILS
uH: μH
 - RESISTORS
All resistors are in ohms.
METAL: metal-film resistor
METAL OXIDE: Metal Oxide-film resistor
F: nonflammable
 - SEMICONDUCTORS
In each case, u: μ, for example:
uA..., μA..., uPA..., μPA...,
uPB..., μPB..., μPC..., μPC...,
uPD..., μPD...

When indicating parts by reference number, please include the board name.

The components identified by mark △ or dotted line with mark are critical for safety. Replace only with part number specified.

Les composants identifiés par une marque △ sont critiques pour la sécurité. Ne les remplacer que par une pièce portant le numéro spécifié.

Caution
Danger of explosion if battery is incorrectly replaced. Replace only with the same or equivalent type. Dispose of used batteries according to the instructions.

注意
如果电池更换不当会有爆炸危险。只能用同样类型或等效类型的电池来更换。务必按照说明处置用完的电池。

Note 1: Be sure to read "Precautions for Replacement of Imager" on page 6-1.

Note 2: Replace the battery holder (BH101) together when replacing the lithium secondary battery (BT101) on the CN-1039 board. (The battery holder removed once cannot be used again.) When mounting these parts, mount new battery holder first and attach new lithium storage battery next.

(JAPANESE)

- 【使用上の注意】
- ここに記載されている部品は、補修用部品であるため、回路図及びセットに付いている部品と異なる場合があります。
 - -XX, -Xは標準化部品のため、セットに付いている部品と異なる場合があります。
 - *印の部品は常備在庫しておりません。
 - コンデンサの単位でuFはμFを示します。
 - 抵抗の単位Ωは省略してあります。
金 被：金属被膜抵抗。
サンキン：酸化金属被膜抵抗。
 - インダクタの単位でuHはμHを示します。
 - 半導体の名称でuA..., uPA..., uPB..., uPC..., uPD...等はそれぞれμA..., μPA..., μPB..., μPC..., μPD...を示します。

お願い
図面番号で部品を指定するときは基板名又はブロックを併せて指定してください。

△印の部品、または△印付の点線で囲まれた部品は、安全性を維持するために、重要な部品です。従って交換時は、必ず指定の部品を使用してください。

注意
電池の交換は、正しく行わないと破裂する恐れがあります。電池を交換する場合には必ず同じ型名の電池又は同等品と交換してください。使用済み電池は、取扱指示に従って処分してください。

Note 1: イメージャの交換時は6-1ページの「イメージャ交換時の注意」を必ずお読みください。

Note 2: CN-1039基板のリチウム蓄電池 (BT101) を交換する場合はバッテリーホルダ (BH101) も同時に新品に交換してください。(一度使用したバッテリーホルダは再使用できません。) 部品取り付けの際は、先にバッテリーホルダを取り付けてからリチウム蓄電池を装着してください。

2-2. ELECTRICAL PARTS LIST

Ref. No.	Part No.	Description	Ref. No.	Part No.	Description
	A-2092-190-A	AN-1020 BOARD, COMPLETE *****			< COMPOSITION CIRCUIT BLOCK >
		< CAPACITOR >			
C7381	1-117-728-81	CERAMIC CHIP 1PF 0.1PF 16V			
		< TERMINAL >			
ET7381	1-780-992-11	TERMINAL (ON BOARD CONTACT)			
		< JACK >			
J7391	1-820-196-11	CONNECTOR, COAXIAL (SMT TYPE)			
		< COIL >			
L7383	(Not supplied)	INDUCTOR 2.7nH			
		< BATTERY HOLDER >			
	1-889-866-11	BT-2011 FLEXIBLE BOARD *****			< JACK >
		< BATTERY HOLDER >			
	A-2078-262-A	CN-1039 BOARD, COMPLETE *****			
		< BATTERY HOLDER >			
△ BH101	1-251-928-21	SOCKET, BATTERY			
		< CAPACITOR >			
C202	(Not supplied)	TANTAL. CHIP 22uF 20% 6.3V			
* C203	1-116-720-11	CERAMIC CHIP 10uF 20% 6.3V			
C301	(Not supplied)	CERAMIC CHIP 10uF 10% 10V			
* C303	1-116-738-11	CERAMIC CHIP 1uF 10% 6.3V			
* C7100	1-118-458-11	CERAMIC CHIP 0.1uF 10% 6.3V			
		< CONNECTOR >			
CN101	1-843-469-11	CONNECTOR, FPC (ZIF) 61P			
CN201	1-843-088-23	CARD CONNECTOR			
* CN302	1-843-618-11	CONNECTOR, FFC/FPC (LIF) 10P			
		< DIODE >			
D6780	6-503-031-01	DIODE DZ2J18000L			
D6781	6-502-975-01	DIODE DZ2J15000L			
		< TRANSISTOR >			
Q6780	6-551-630-01	TRANSISTOR RN1102MFV (TL3S)			
Q6782	(Not supplied)	TRANSISTOR MTM765200LBF			
		< RESISTOR >			
R203	1-218-941-81	METAL CHIP 100 5% 1/16W			
R219	1-218-941-81	METAL CHIP 100 5% 1/16W			
R6780	1-240-718-91	METAL CHIP 100K 5% 1/20W			
R6781	1-240-718-91	METAL CHIP 100K 5% 1/20W			
R6782	1-240-703-91	METAL CHIP 4.7K 5% 1/20W			
		< CAPACITOR >			
C8040	1-118-040-11	CERAMIC CHIP 2.2uF 10% 16V			
C8041	1-118-040-11	CERAMIC CHIP 2.2uF 10% 16V			
C8042	1-118-477-11	CERAMIC CHIP 2.2uF 10% 6.3V			
C8043	1-118-462-11	CERAMIC CHIP 1uF 10% 10V			
C8044	1-118-045-11	CERAMIC CHIP 2.2uF 10% 25V			
		< TRANSISTOR >			
C8045	1-118-477-11	CERAMIC CHIP 2.2uF 10% 6.3V			
C8046	1-118-462-11	CERAMIC CHIP 1uF 10% 10V			
C8047	1-118-462-11	CERAMIC CHIP 1uF 10% 10V			
C8048	1-118-045-11	CERAMIC CHIP 2.2uF 10% 25V			
C8049	1-118-462-11	CERAMIC CHIP 1uF 10% 10V			
		< RESISTOR >			
C8050	1-118-462-11	CERAMIC CHIP 1uF 10% 10V			
C8051	1-118-462-11	CERAMIC CHIP 1uF 10% 10V			
C8052	1-118-462-11	CERAMIC CHIP 1uF 10% 10V			
C8053	1-118-462-11	CERAMIC CHIP 1uF 10% 10V			
C8054	1-118-462-11	CERAMIC CHIP 1uF 10% 10V			
		< CAPACITOR >			
C8055	1-118-462-11	CERAMIC CHIP 1uF 10% 10V			

Ref. No.	Part No.	Description
		< CONNECTOR >
* CN001	1-821-501-11	CONNECTOR, FPC (ZIF) 51P
CN8040	1-842-604-11	CONNECTOR, FPC (ZIF) 61PIN
* CN8041	1-822-910-11	CONNECTOR, FPC (LIF (NON-ZIF))
		< DIODE >
D8040	6-502-934-01	DIODE DB2S31100K8

1-894-657-11	LC-1030 FLEXIBLE BOARD	*****

A-2117-189-A	MDV-2000 BOARD, COMPLETE	*****
		< CONNECTOR >
* CN001	1-822-910-11	CONNECTOR, FPC (LIF (NON-ZIF))
* CN002	1-822-914-11	CONNECTOR, FPC (LIF (NON-ZIF))

A-2092-366-A	MIS-2003 BOARD, COMPLETE (BLACK)	
A-2117-193-A	MIS-2003 BOARD, COMPLETE (SILVER)	*****
		< CONNECTOR >
CN7551	(Not supplied)	CONNECTOR (SHOE)

A-2078-263-A	RL-1046 BOARD, COMPLETE	*****
		< CAPACITOR >
* C001	1-116-738-11	CERAMIC CHIP 1uF 10% 6.3V
* C002	1-116-738-11	CERAMIC CHIP 1uF 10% 6.3V
C004	(Not supplied)	CERAMIC CHIP 22PF 1% 50V
C005	1-164-874-11	CERAMIC CHIP 100PF 5% 50V
		< CONNECTOR >
CN001	1-816-655-61	FFC/CONNECTOR, FPC (LIF (NON-ZIF)) 8P
		< DIODE >
D001	6-502-887-01	DIODE SCM-J14DTP96
		< IC >
IC001	6-600-629-01	IC RS-470
		< PHOTO INTERRUPTER >
PH001	(Not supplied)	PHOTO REFLECTOR PR-40-T
PH002	(Not supplied)	PHOTO REFLECTOR PR-40-T
		< TRANSISTOR >
Q001	6-551-631-01	TRANSISTOR RN1104MFV (TL3S)
Q002	6-551-631-01	TRANSISTOR RN1104MFV (TL3S)

Ref. No.	Part No.	Description
		< RESISTOR >
R001	1-216-819-11	METAL CHIP 680 5% 1/10W
R002	1-216-819-11	METAL CHIP 680 5% 1/10W
R003	1-218-957-11	METAL CHIP 2.2K 5% 1/16W
R004	1-218-959-11	METAL CHIP 3.3K 5% 1/16W
R005	1-218-961-11	METAL CHIP 4.7K 5% 1/16W
R006	1-218-965-11	METAL CHIP 10K 5% 1/16W
R007	1-218-965-11	METAL CHIP 10K 5% 1/16W
R008	1-218-961-11	METAL CHIP 4.7K 5% 1/16W
R009	1-218-959-11	METAL CHIP 3.3K 5% 1/16W
R010	1-218-957-11	METAL CHIP 2.2K 5% 1/16W
R011	1-218-973-11	METAL CHIP 47K 5% 1/16W
R012	1-218-973-11	METAL CHIP 47K 5% 1/16W
		< SWITCH >
* S001	1-798-136-21	TACTILE SWITCH
S002	1-786-680-21	SWITCH, DETECTION (SMD)
* S003	1-786-914-31	SWITCH, TACTILE
* S004	1-786-914-31	SWITCH, TACTILE
* S005	1-786-914-51	SWITCH, TACTILE
* S006	1-786-914-31	SWITCH, TACTILE
S007	1-798-035-61	ROTARY SWITCH
S008	1-786-707-11	SWITCH, DETECTION (SMD)
		< THERMISTOR >
TH001	1-804-949-11	THERMISTOR, NTC (SMD)

A-2078-264-A	ST-1035 BOARD, COMPLETE	*****
		< CAPACITOR >
C2700	1-118-477-11	CERAMIC CHIP 2.2uF 10% 6.3V
* C3800	1-118-035-11	CERAMIC CHIP 0.1uF 10% 25V
C3801	1-118-403-11	CERAMIC CHIP 0.001uF 10% 50V
C3802	1-118-403-11	CERAMIC CHIP 0.001uF 10% 50V
C3803	1-118-403-11	CERAMIC CHIP 0.001uF 10% 50V
C3804	1-118-403-11	CERAMIC CHIP 0.001uF 10% 50V
C3805	(Not supplied)	CERAMIC CHIP 22uF 20% 10V
* C5800	1-116-738-11	CERAMIC CHIP 1uF 10% 6.3V
C5801	(Not supplied)	CERAMIC CHIP 22uF 20% 10V
△*C5803	1-116-456-11	CERAMIC CHIP 0.047uF 10% 350V
△C5804	1-100-761-21	CERAMIC CHIP 0.01uF 10% 250V
C8800	1-118-462-11	CERAMIC CHIP 1uF 10% 10V
		< CONNECTOR >
* CN801	1-822-914-11	CONNECTOR, FPC (LIF (NON-ZIF))
* CN3800	1-822-378-11	CONNECTOR, FPC (ZIF) 33P
		< DIODE >
△*D5800	6-503-901-01	DIODE DA2JF6500L
△D5801	6-501-119-01	DIODE RR264M-400
△*D5802	6-503-001-01	DIODE RR255M-400FJTR
* D8800	6-503-573-01	DIODE 1SS400SMGJT2R
		< IC >
IC5800	(Not supplied)	IC RT9598GQW

Ref. No.	Part No.	Description
		< COIL >
L5800	(Not supplied)	INDUCTOR 2.2uH
		< TRANSISTOR >
Q3802	(Not supplied)	TRANSISTOR PBHV8540T, 215
△Q5800	(Not supplied)	TRANSISTOR TIG065E8-TL-HQ
Q8800	6-551-631-01	TRANSISTOR RN1104MFV (TL3S)
Q8801	6-552-874-01	TRANSISTOR RW1C025ZPT2CR
		< RESISTOR >
R3800	1-218-965-11	METAL CHIP 10K 5% 1/16W
R3801	1-218-973-11	METAL CHIP 47K 5% 1/16W
R5802	1-250-531-11	METAL CHIP 33K 1% 1/16W
R5803	1-208-923-11	METAL CHIP 33K 0.5% 1/16W
R5804	1-208-683-11	METAL CHIP 1K 0.5% 1/16W
△*R5806	1-246-338-21	METAL CHIP 3M 1% 1/8W
R5807	1-218-970-11	METAL CHIP 27K 5% 1/16W
R5808	1-218-941-81	METAL CHIP 100 5% 1/16W
△R5809	1-216-857-11	METAL CHIP 1M 5% 1/10W
△R5810	1-216-845-11	METAL CHIP 100K 5% 1/10W
R5811	1-218-977-11	METAL CHIP 100K 5% 1/16W
R5812	1-218-977-11	METAL CHIP 100K 5% 1/16W
R8800	1-218-965-11	METAL CHIP 10K 5% 1/16W
R8801	1-250-567-11	METAL CHIP 1M 1% 1/16W
		< SENSOR >
SE2700	(Not supplied)	INFRARED RECEIVER SENSOR
* SE3800	1-489-167-11	SENSOR MAGNETIC
		< TRANSFORMER >
△*T801	1-445-774-11	D.C.-D.C.CONVERTER TRANSFORMER

A-2119-197-A	SY-1066 BOARD, COMPLETE (SERVICE)	*****
		< CAPACITOR >
C125	1-118-462-11	CERAMIC CHIP 1uF 10% 10V
C126	1-118-462-11	CERAMIC CHIP 1uF 10% 10V
C128	1-116-749-11	CERAMIC CHIP 22uF 20% 6.3V
C0200	(Not supplied)	CERAMIC CHIP 0.01uF 10% 16V
C0300	1-118-040-11	CERAMIC CHIP 2.2uF 10% 16V
C0400	(Not supplied)	CERAMIC CHIP 0.022uF 10% 10V
C0407	1-116-749-11	CERAMIC CHIP 22uF 20% 6.3V
C0408	1-118-168-11	CERAMIC CHIP 1uF 20% 6.3V
C412	1-116-749-11	CERAMIC CHIP 22uF 20% 6.3V
C413	1-116-749-11	CERAMIC CHIP 22uF 20% 6.3V
C600	(Not supplied)	CERAMIC CHIP 0.001uF 10% 25V
* C0703	1-118-458-11	CERAMIC CHIP 0.1uF 10% 6.3V
C0706	(Not supplied)	CERAMIC CHIP 0.01uF 10% 16V
C0707	(Not supplied)	CERAMIC CHIP 0.001uF 10% 25V
C708	(Not supplied)	CERAMIC CHIP 0.01uF 10% 16V
C709	(Not supplied)	CERAMIC CHIP 0.01uF 10% 16V
C710	(Not supplied)	CERAMIC CHIP 0.01uF 10% 16V
* C1106	1-118-458-11	CERAMIC CHIP 0.1uF 10% 6.3V
* C1121	1-118-458-11	CERAMIC CHIP 0.1uF 10% 6.3V
* C1124	1-116-720-11	CERAMIC CHIP 10uF 20% 6.3V

Ref. No.	Part No.	Description
* C1127	1-118-458-11	CERAMIC CHIP 0.1uF 10% 6.3V
C1128	(Not supplied)	CERAMIC CHIP 0.22uF 20% 6.3V
* C1129	1-118-458-11	CERAMIC CHIP 0.1uF 10% 6.3V
* C1130	1-118-458-11	CERAMIC CHIP 0.1uF 10% 6.3V
* C1131	1-118-458-11	CERAMIC CHIP 0.1uF 10% 6.3V
* C1132	1-118-458-11	CERAMIC CHIP 0.1uF 10% 6.3V
* C1155	1-118-757-11	CERAMIC CHIP 5PF 5% 50V
C1200	1-116-749-11	CERAMIC CHIP 22uF 20% 6.3V
* C3008	1-118-458-11	CERAMIC CHIP 0.1uF 10% 6.3V
* C3009	1-118-458-11	CERAMIC CHIP 0.1uF 10% 6.3V
C3402	1-118-168-11	CERAMIC CHIP 1uF 20% 6.3V
* C3800	1-118-458-11	CERAMIC CHIP 0.1uF 10% 6.3V
C4914	(Not supplied)	CERAMIC CHIP 0.01uF 10% 16V
C4915	(Not supplied)	CERAMIC CHIP 0.01uF 10% 16V
C4916	(Not supplied)	CERAMIC CHIP 0.01uF 10% 16V
C4921	(Not supplied)	CERAMIC CHIP 0.22uF 20% 6.3V
C4922	(Not supplied)	CERAMIC CHIP 0.01uF 10% 16V
C4923	(Not supplied)	CERAMIC CHIP 0.01uF 10% 16V
C4924	(Not supplied)	CERAMIC CHIP 0.01uF 10% 16V
C4925	(Not supplied)	CERAMIC CHIP 0.01uF 10% 16V
C4926	(Not supplied)	CERAMIC CHIP 0.01uF 10% 16V
C4927	(Not supplied)	CERAMIC CHIP 0.01uF 10% 16V
C4928	(Not supplied)	CERAMIC CHIP 0.01uF 10% 16V
C4929	(Not supplied)	CERAMIC CHIP 0.01uF 10% 16V
C4930	(Not supplied)	CERAMIC CHIP 0.01uF 10% 16V
C4931	(Not supplied)	CERAMIC CHIP 0.01uF 10% 16V
* C5000	1-118-458-11	CERAMIC CHIP 0.1uF 10% 6.3V
C5100	1-118-462-11	CERAMIC CHIP 1uF 10% 10V
C5101	1-118-386-11	CERAMIC CHIP 0.1uF 10% 16V
C5102	(Not supplied)	CERAMIC CHIP 0.01uF 10% 16V
C5103	1-118-039-11	CERAMIC CHIP 1uF 10% 25V
C5104	1-118-462-11	CERAMIC CHIP 1uF 10% 10V
C5105	1-118-462-11	CERAMIC CHIP 1uF 10% 10V
C5106	1-118-462-11	CERAMIC CHIP 1uF 10% 10V
* C5107	1-118-035-11	CERAMIC CHIP 0.1uF 10% 25V
C5108	1-118-477-11	CERAMIC CHIP 2.2uF 10% 6.3V
C5109	1-118-477-11	CERAMIC CHIP 2.2uF 10% 6.3V
C5110	1-118-040-11	CERAMIC CHIP 2.2uF 10% 16V
C5111	1-118-040-11	CERAMIC CHIP 2.2uF 10% 16V
C5112	1-118-040-11	CERAMIC CHIP 2.2uF 10% 16V
C5114	1-118-040-11	CERAMIC CHIP 2.2uF 10% 16V
C5116	1-116-749-11	CERAMIC CHIP 22uF 20% 6.3V
* C5117	1-116-720-11	CERAMIC CHIP 10uF 20% 6.3V
* C5118	1-116-720-11	CERAMIC CHIP 10uF 20% 6.3V
* C5120	1-116-720-11	CERAMIC CHIP 10uF 20% 6.3V
C5150	1-116-713-11	CERAMIC CHIP 22uF 20% 10V
C5151	1-116-713-11	CERAMIC CHIP 22uF 20% 10V
C5152	1-116-713-11	CERAMIC CHIP 22uF 20% 10V
C5153	1-116-713-11	CERAMIC CHIP 22uF 20% 10V
C5154	(Not supplied)	CERAMIC CHIP 0.1uF 10% 10V
C5155	(Not supplied)	CERAMIC CHIP 0.1uF 10% 10V
C5156	(Not supplied)	CERAMIC CHIP 10PF 5% 50V
C5157	(Not supplied)	CERAMIC CHIP 10PF 5% 50V
C5158	1-116-713-11	CERAMIC CHIP 22uF 20% 10V
C5159	1-116-713-11	CERAMIC CHIP 22uF 20% 10V
C5160	1-118-040-11	CERAMIC CHIP 2.2uF 10% 16V
* C5200	1-118-458-11	CERAMIC CHIP 0.1uF 10% 6.3V
C5201	1-118-041-11	CERAMIC CHIP 4.7uF 10% 10V
* C5202	1-118-458-11	CERAMIC CHIP 0.1uF 10% 6.3V

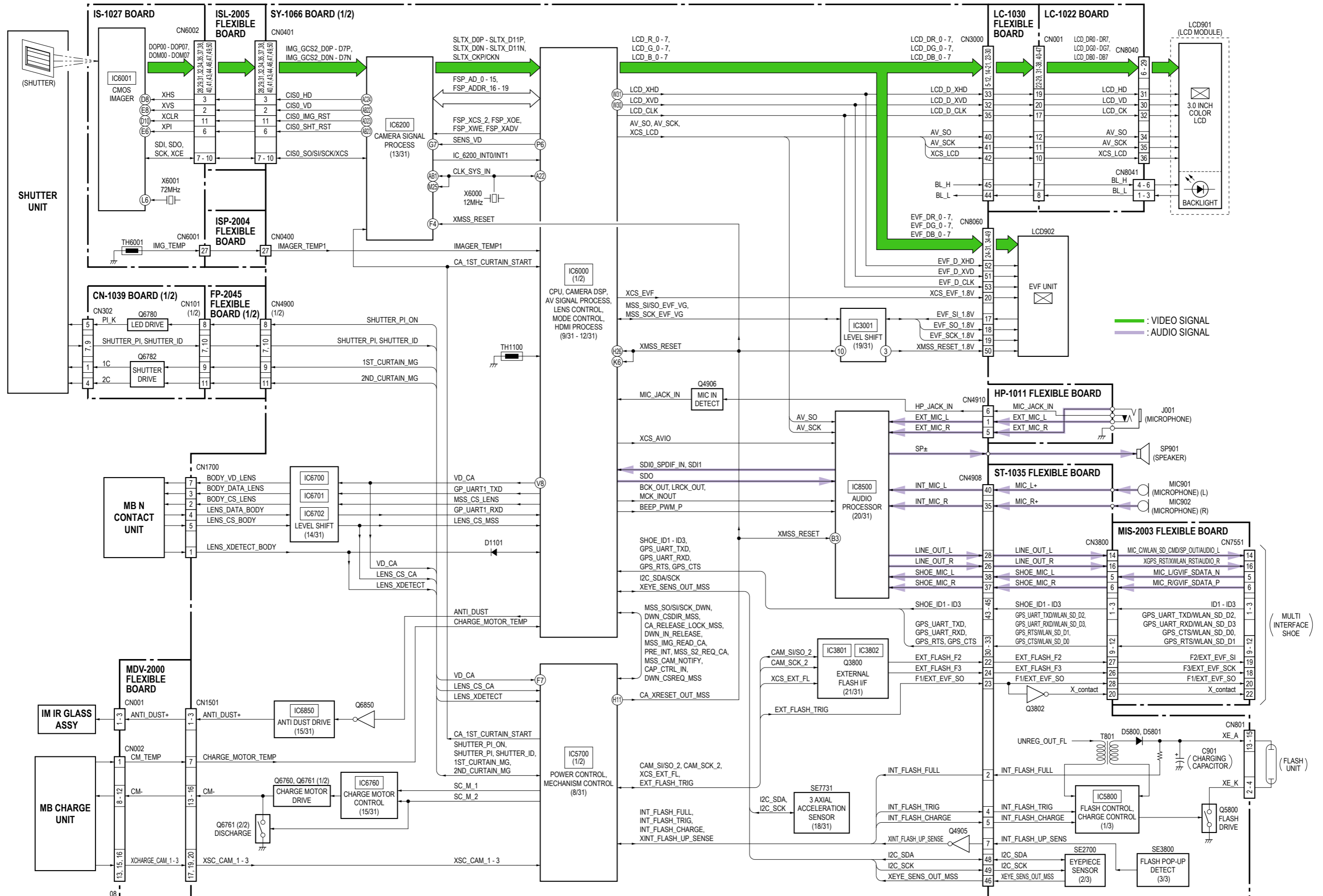
Ref. No.	Part No.	Description			
R3053	1-240-687-91	METAL CHIP	220	5%	1/20W
R3054	1-240-687-91	METAL CHIP	220	5%	1/20W
R3055	1-240-687-91	METAL CHIP	220	5%	1/20W
R3056	1-240-687-91	METAL CHIP	220	5%	1/20W
R3057	1-240-687-91	METAL CHIP	220	5%	1/20W
R3058	1-240-687-91	METAL CHIP	220	5%	1/20W
R3059	1-240-687-91	METAL CHIP	220	5%	1/20W
R3060	1-240-687-91	METAL CHIP	220	5%	1/20W
R3061	1-240-687-91	METAL CHIP	220	5%	1/20W
R3062	1-240-687-91	METAL CHIP	220	5%	1/20W
R3063	1-240-687-91	METAL CHIP	220	5%	1/20W
R3064	1-240-687-91	METAL CHIP	220	5%	1/20W
R3065	1-240-687-91	METAL CHIP	220	5%	1/20W
R3066	1-240-687-91	METAL CHIP	220	5%	1/20W
R3067	1-240-687-91	METAL CHIP	220	5%	1/20W
R3068	1-240-687-91	METAL CHIP	220	5%	1/20W
R3075	1-240-689-91	METAL CHIP	330	5%	1/20W
R3076	1-240-689-91	METAL CHIP	330	5%	1/20W
R3077	1-240-689-91	METAL CHIP	330	5%	1/20W
R3800	1-240-701-91	METAL CHIP	3.3K	5%	1/20W
R3801	1-240-718-91	METAL CHIP	100K	5%	1/20W
R3802	1-240-718-91	METAL CHIP	100K	5%	1/20W
R4928	1-240-699-91	METAL CHIP	2.2K	5%	1/20W
R4929	1-240-701-91	METAL CHIP	3.3K	5%	1/20W
R4930	1-240-703-91	METAL CHIP	4.7K	5%	1/20W
R4944	1-218-943-11	METAL CHIP	150	5%	1/16W
R4956	1-240-695-91	METAL CHIP	1K	5%	1/20W
R4957	1-240-718-91	METAL CHIP	100K	5%	1/20W
R5100	(Not supplied)	METAL CHIP	47K	1%	1/20W
R5151	(Not supplied)	METAL CHIP	47K	1%	1/20W
R5152	(Not supplied)	METAL CHIP	4.7K	1%	1/20W
R5153	(Not supplied)	METAL CHIP	470	1%	1/20W
R5154	(Not supplied)	METAL CHIP	120K	1%	1/20W
R5155	(Not supplied)	METAL CHIP	12K	1%	1/20W
R5156	(Not supplied)	METAL CHIP	15K	1%	1/20W
R5200	1-218-941-81	METAL CHIP	100	5%	1/16W
* R5201	1-257-273-11	METAL CHIP	33K	1%	1/20W
R5202	(Not supplied)	METAL CHIP	10K	1%	1/20W
R5203	1-240-707-91	METAL CHIP	10K	5%	1/20W
R5250	1-240-724-91	METAL CHIP	330K	5%	1/20W
R5251	1-240-718-91	METAL CHIP	100K	5%	1/20W
R5300	(Not supplied)	METAL CHIP	15	1%	1/20W
R5301	(Not supplied)	METAL CHIP	15	1%	1/20W
R5331	1-240-707-91	METAL CHIP	10K	5%	1/20W
R5334	1-218-981-81	METAL CHIP	220K	5%	1/16W
R5335	1-250-519-11	METAL CHIP	10K	1%	1/16W
* R5336	1-250-549-11	METAL CHIP	180K	1%	1/16W
R5337	1-250-519-11	METAL CHIP	10K	1%	1/16W
R5338	1-240-707-91	METAL CHIP	10K	5%	1/20W
R5500	1-240-711-91	METAL CHIP	22K	5%	1/20W
R5501	1-240-695-91	METAL CHIP	1K	5%	1/20W
R5520	1-240-722-91	METAL CHIP	220K	5%	1/20W
R5543	(Not supplied)	METAL CHIP	100K	1%	1/20W
R5544	(Not supplied)	METAL CHIP	47K	1%	1/20W
R5600	1-218-965-11	METAL CHIP	10K	5%	1/16W
R5650	1-240-679-91	METAL CHIP	47	5%	1/20W
* R5654	1-250-503-11	METAL CHIP	2.2K	1%	1/16W
R5655	1-240-699-91	METAL CHIP	2.2K	5%	1/20W

Ref. No.	Part No.	Description			
R5656	1-240-699-91	METAL CHIP	2.2K	5%	1/20W
R5701	1-240-701-91	METAL CHIP	3.3K	5%	1/20W
R5702	1-240-697-91	METAL CHIP	1.5K	5%	1/20W
R5711	1-240-711-91	METAL CHIP	22K	5%	1/20W
R5712	1-240-676-91	METAL CHIP	22	5%	1/20W
R5713	1-240-676-91	METAL CHIP	22	5%	1/20W
R6000	1-240-695-91	METAL CHIP	1K	5%	1/20W
R6001	1-218-953-11	METAL CHIP	1K	5%	1/16W
R6040	1-240-695-91	METAL CHIP	1K	5%	1/20W
R6041	(Not supplied)	METAL CHIP	12K	1%	1/20W
* R6060	1-250-507-11	METAL CHIP	3.3K	1%	1/16W
R6061	(Not supplied)	METAL CHIP	12K	1%	1/20W
* R6062	1-250-507-11	METAL CHIP	3.3K	1%	1/16W
R6083	1-240-683-91	METAL CHIP	100	5%	1/20W
R6084	1-240-681-91	METAL CHIP	68	5%	1/20W
R6085	1-240-678-91	METAL CHIP	33	5%	1/20W
R6086	1-243-388-91	METAL CHIP	39	5%	1/20W
R6125	(Not supplied)	METAL CHIP	220	1%	1/20W
R6126	(Not supplied)	METAL CHIP	220	1%	1/20W
R6128	(Not supplied)	METAL CHIP	240	1%	1/20W
R6129	(Not supplied)	METAL CHIP	10K	1%	1/20W
R6130	(Not supplied)	METAL CHIP	10K	1%	1/20W
R6220	1-240-676-91	METAL CHIP	22	5%	1/20W
R6240	1-240-695-91	METAL CHIP	1K	5%	1/20W
R6241	1-240-699-91	METAL CHIP	2.2K	5%	1/20W
R6700	1-240-683-91	METAL CHIP	100	5%	1/20W
R6702	1-240-718-91	METAL CHIP	100K	5%	1/20W
R6703	1-240-711-91	METAL CHIP	22K	5%	1/20W
R6704	1-240-729-91	METAL CHIP	1M	5%	1/20W
R6706	1-240-707-91	METAL CHIP	10K	5%	1/20W
R6707	1-240-707-91	METAL CHIP	10K	5%	1/20W
R6708	1-218-941-81	METAL CHIP	100	5%	1/16W
R6709	1-240-689-91	METAL CHIP	330	5%	1/20W
R6710	1-240-726-91	METAL CHIP	470K	5%	1/20W
R6711	1-240-711-91	METAL CHIP	22K	5%	1/20W
R6712	1-240-707-91	METAL CHIP	10K	5%	1/20W
R6714	1-240-703-91	METAL CHIP	4.7K	5%	1/20W
R6760	1-240-695-91	METAL CHIP	1K	5%	1/20W
R6850	1-240-695-91	METAL CHIP	1K	5%	1/20W
R6851	1-216-789-11	METAL CHIP	2.2	5%	1/10W
R6852	1-240-718-91	METAL CHIP	100K	5%	1/20W
R6853	1-240-718-91	METAL CHIP	100K	5%	1/20W
R7890	1-240-695-91	METAL CHIP	1K	5%	1/20W
R7891	1-216-796-11	METAL CHIP	8.2	5%	1/10W
R7892	1-216-799-11	METAL CHIP	15	5%	1/10W
R8500	1-240-705-91	METAL CHIP	6.8K	5%	1/20W
R8501	1-240-705-91	METAL CHIP	6.8K	5%	1/20W
R8502	1-240-699-91	METAL CHIP	2.2K	5%	1/20W
R8503	1-240-687-91	METAL CHIP	220	5%	1/20W
R8504	1-240-687-91	METAL CHIP	220	5%	1/20W
R8505	1-240-699-91	METAL CHIP	2.2K	5%	1/20W
R8506	1-240-699-91	METAL CHIP	2.2K	5%	1/20W
R8507	1-240-699-91	METAL CHIP	2.2K	5%	1/20W
R8508	1-240-722-91	METAL CHIP	220K	5%	1/20W
R9000	1-240-712-91	METAL CHIP	27K	5%	1/20W
R9011	1-240-709-91	METAL CHIP	15K	5%	1/20W
R9012	1-240-713-91	METAL CHIP	33K	5%	1/20W
R9101	(Not supplied)	METAL CHIP	10K	1%	1/20W

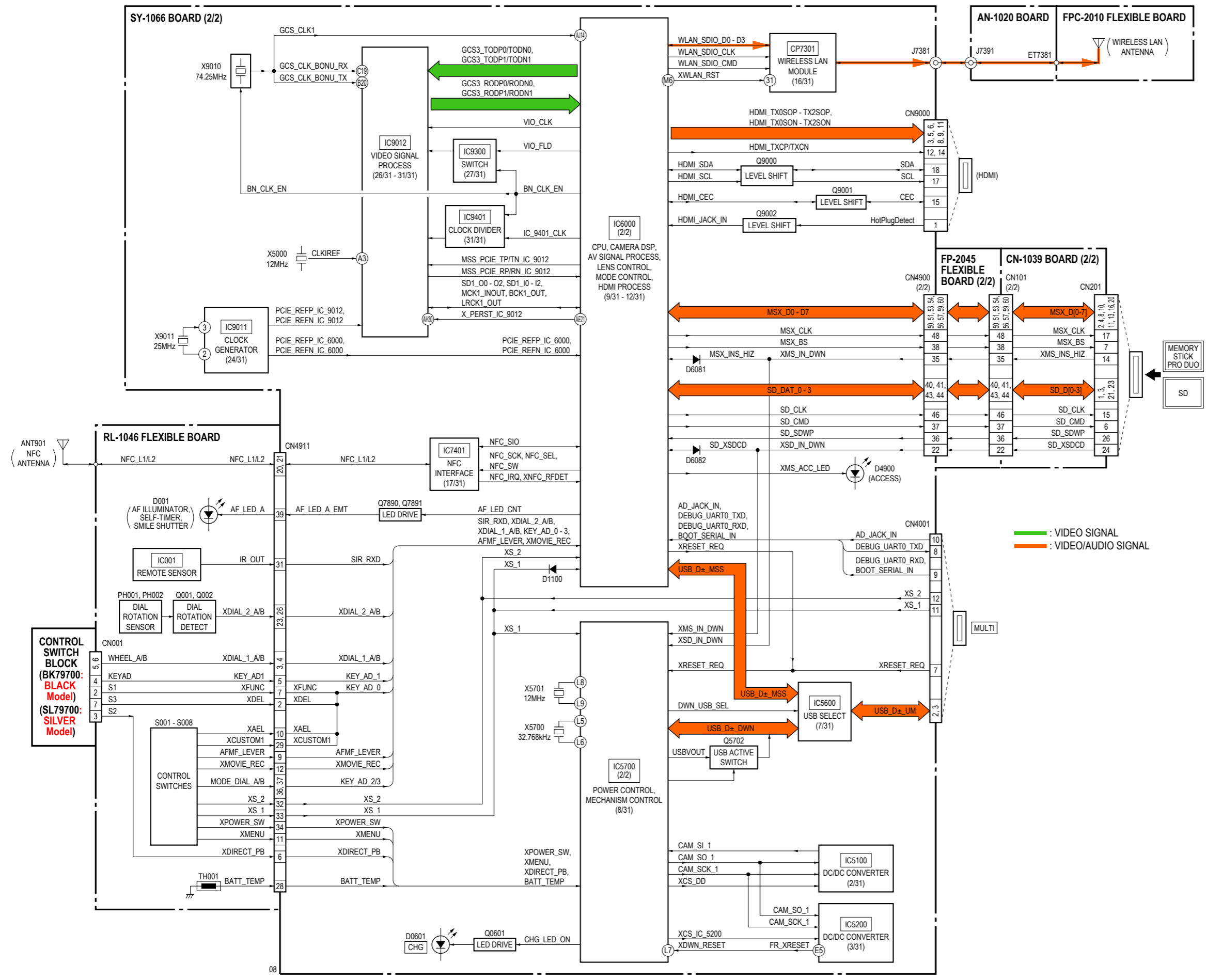
Ref. No.	Part No.	Description			
* R9102	1-250-526-11	METAL CHIP	20K	1%	1/16W
R9104	1-240-707-91	METAL CHIP	10K	5%	1/20W
R9105	1-240-718-91	METAL CHIP	100K	5%	1/20W
R9106	1-240-707-91	METAL CHIP	10K	5%	1/20W
R9107	1-240-691-91	METAL CHIP	470	5%	1/20W
R9310	(Not supplied)	METAL CHIP	510	1%	1/20W
R9311	(Not supplied)	METAL CHIP	510	1%	1/20W
R9316	(Not supplied)	METAL CHIP	180	1%	1/20W
R9334	1-240-718-91	METAL CHIP	100K	5%	1/20W
R9335	1-240-718-91	METAL CHIP	100K	5%	1/20W
R9336	1-240-718-91	METAL CHIP	100K	5%	1/20W
R9337	1-240-718-91	METAL CHIP	100K	5%	1/20W
R9338	1-240-718-91	METAL CHIP	100K	5%	1/20W
R9339	1-240-718-91	METAL CHIP	100K	5%	1/20W
R9340	1-240-718-91	METAL CHIP	100K	5%	1/20W
R9341	1-240-718-91	METAL CHIP	100K	5%	1/20W
< COMPOSITION CIRCUIT BLOCK >					
* RB0700	1-234-384-11	RES, NETWORK	1M (1005X4)		
RB0701	1-234-380-21	RES, NETWORK	47K (1005X4)		
RB1102	1-234-378-21	RES, NETWORK	10K (1005X4)		
RB3016	1-234-378-21	RES, NETWORK	10K (1005X4)		
RB5700	1-234-378-21	RES, NETWORK	10K (1005X4)		
RB6700	1-234-378-21	RES, NETWORK	10K (1005X4)		
RB6701	1-234-381-11	RES, NETWORK	100K (1005X4)		
RB6702	1-234-374-21	RES, NETWORK	470 (1005X4)		
RB6703	1-234-374-21	RES, NETWORK	470 (1005X4)		
RB7301	1-234-372-11	RES, NETWORK	100 (1005X4)		
RB7302	1-234-372-11	RES, NETWORK	100 (1005X4)		
RB9000	1-234-375-21	RES, NETWORK	1K (1005X4)		
< SENSOR >					
* SE7731	1-490-064-31	SENSOR 3 AXIAL ACCELERATION			
< THERMISTOR >					
TH1100	1-804-949-11	THERMISTOR, NTC (SMD)			
< VARIABLE RESISTOR >					
VR670	1-802-090-21	VARISTOR, CHIP			
* VR4900	1-802-251-21	CHIP VARISTOR			
VR4901	(Not supplied)	VARISTOR, CHIP			
VR4902	(Not supplied)	VARISTOR, CHIP			
< VIBRATOR >					
X5000	(Not supplied)	QUARTZ CRYSTAL OSCILLATOR (12MHz)			
X5700	1-781-525-11	VIBRATOR, CRYSTAL (32.768kHz)			
X5701	1-814-304-11	VIBRATOR, CRYSTAL (12MHz)			
X6000	(Not supplied)	SILICON OSCILLATOR (2520) (12MHz)			
X9010	(Not supplied)	SILICON OSCILLATOR (2520) (74.25MHz)			
X9011	(Not supplied)	QUARTZ CRYSTAL UNIT (25MHz)			

4. BLOCK DIAGRAMS

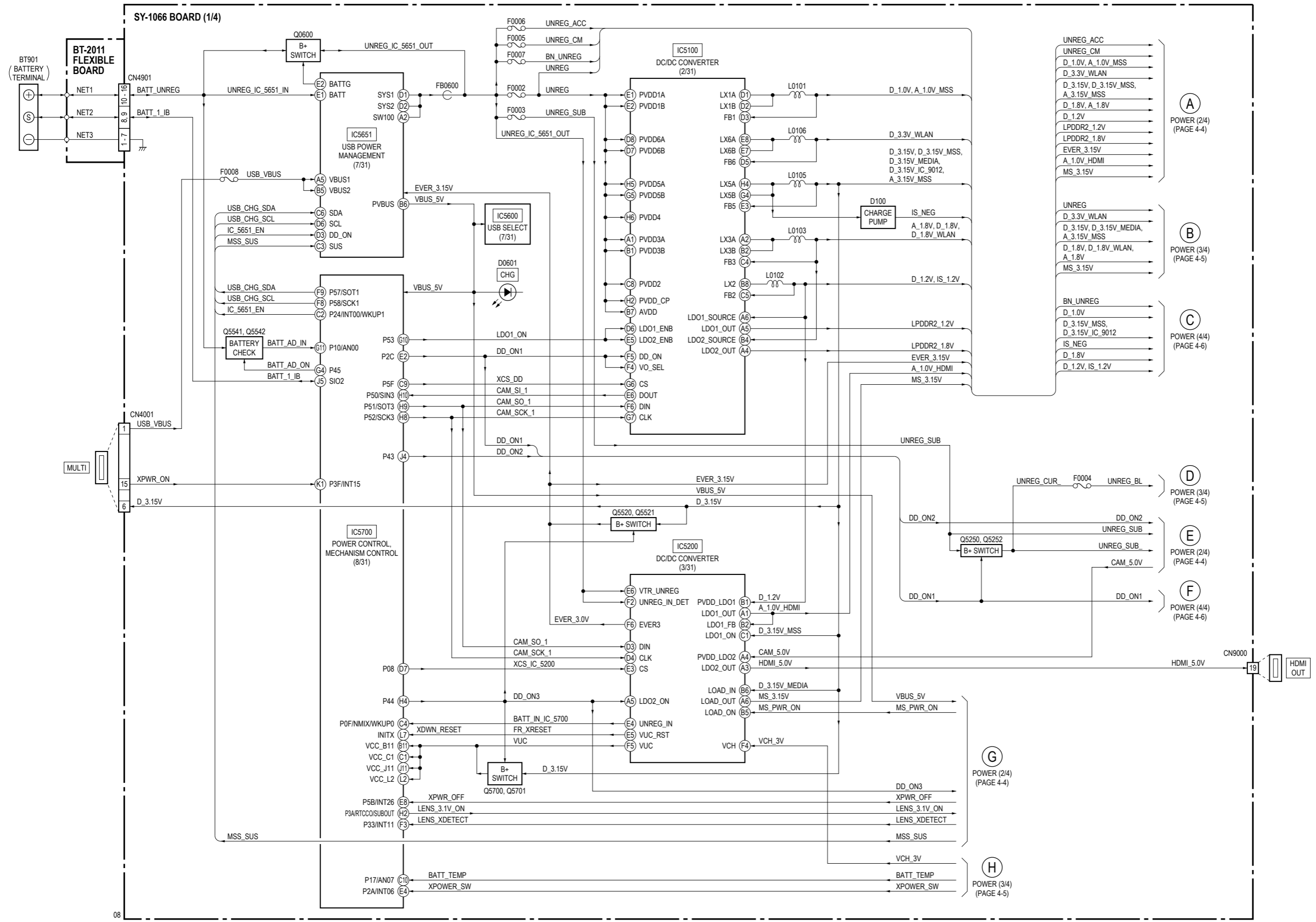
4-1. OVERALL BLOCK DIAGRAM (1/2) () : Number in parenthesis () indicates the division number of schematic diagram where the component is located.



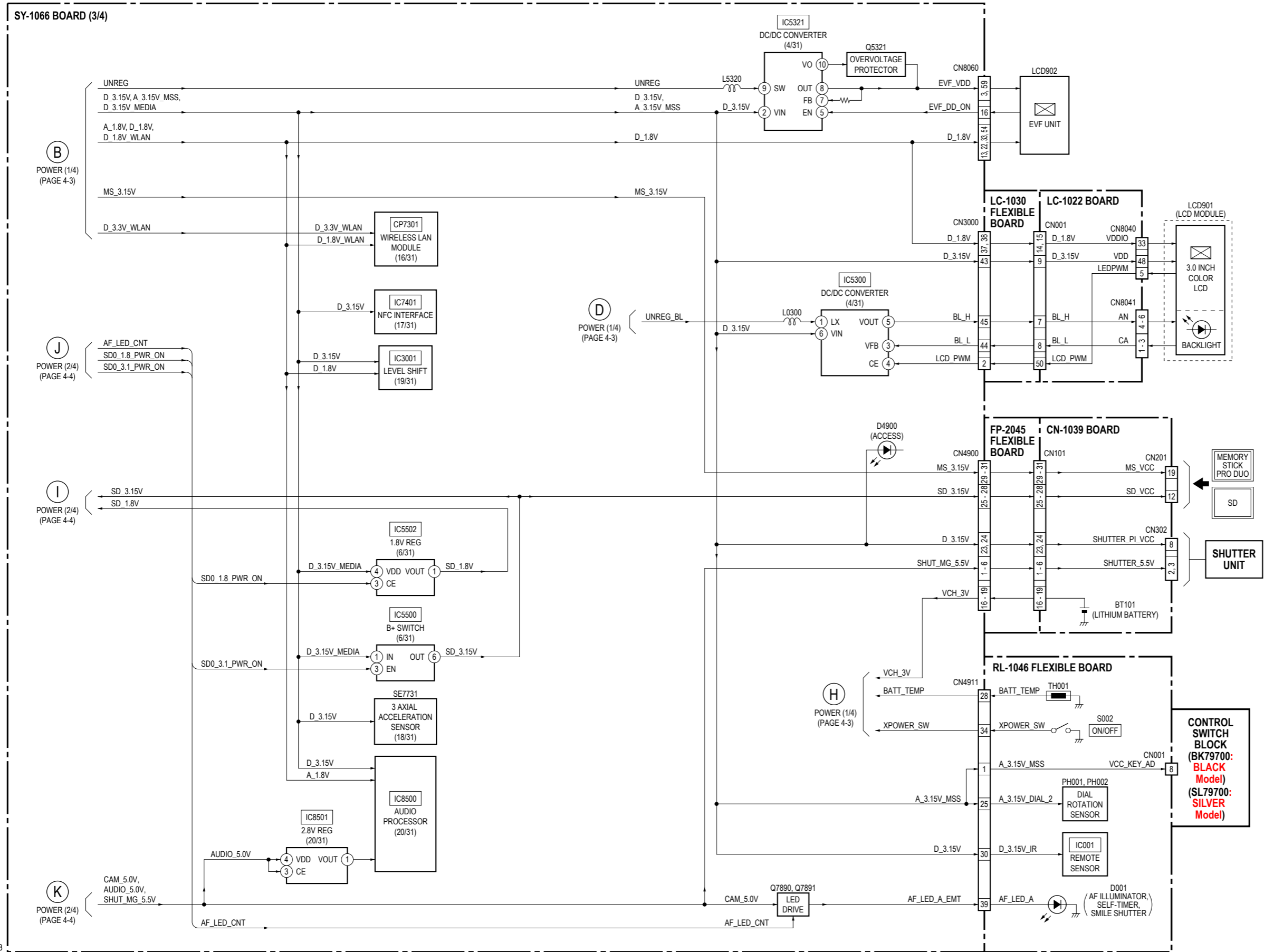
4-2. OVERALL BLOCK DIAGRAM (2/2) () : Number in parenthesis () indicates the division number of schematic diagram where the component is located.



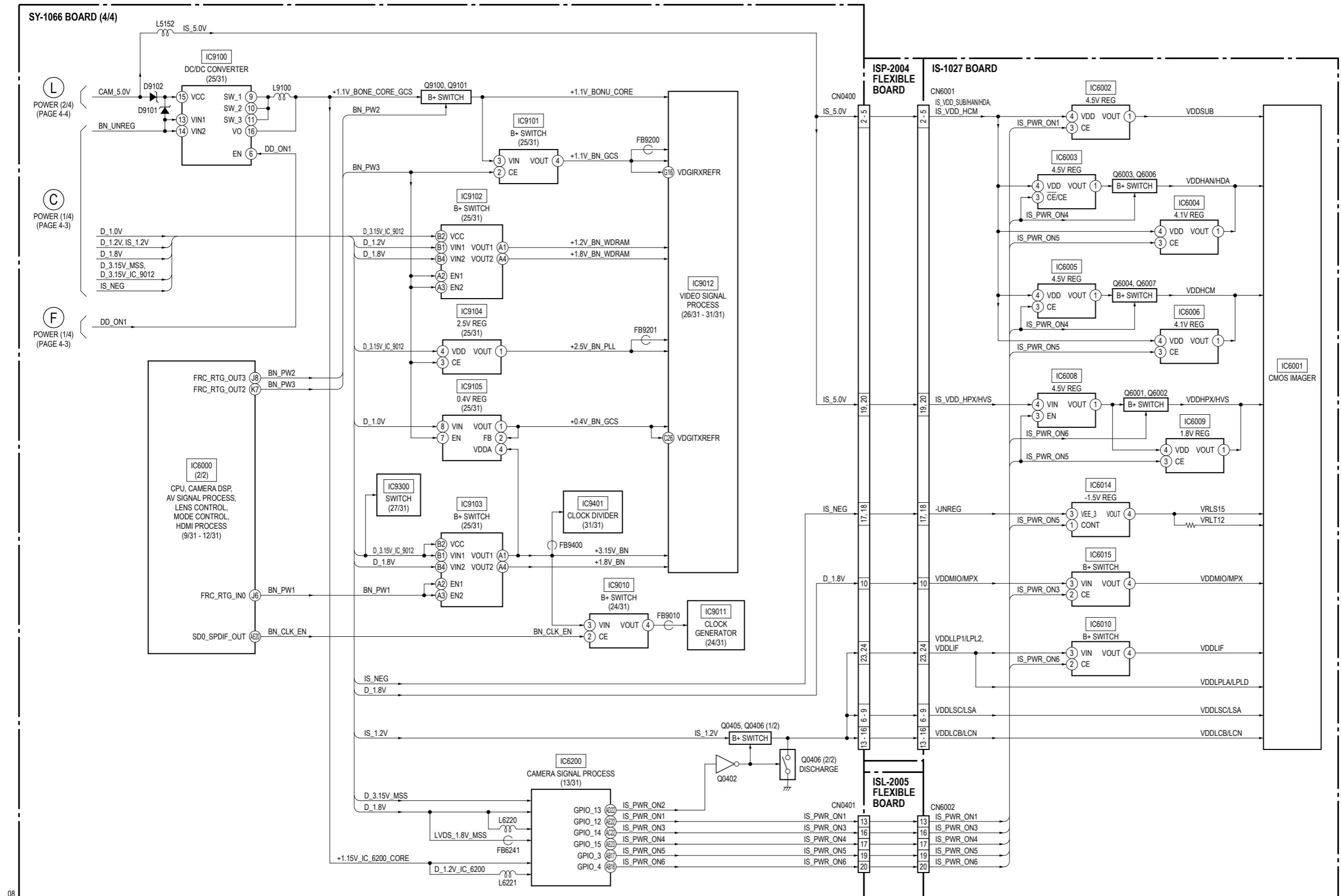
4-3. POWER BLOCK DIAGRAM (1/4) () : Number in parenthesis () indicates the division number of schematic diagram where the component is located.



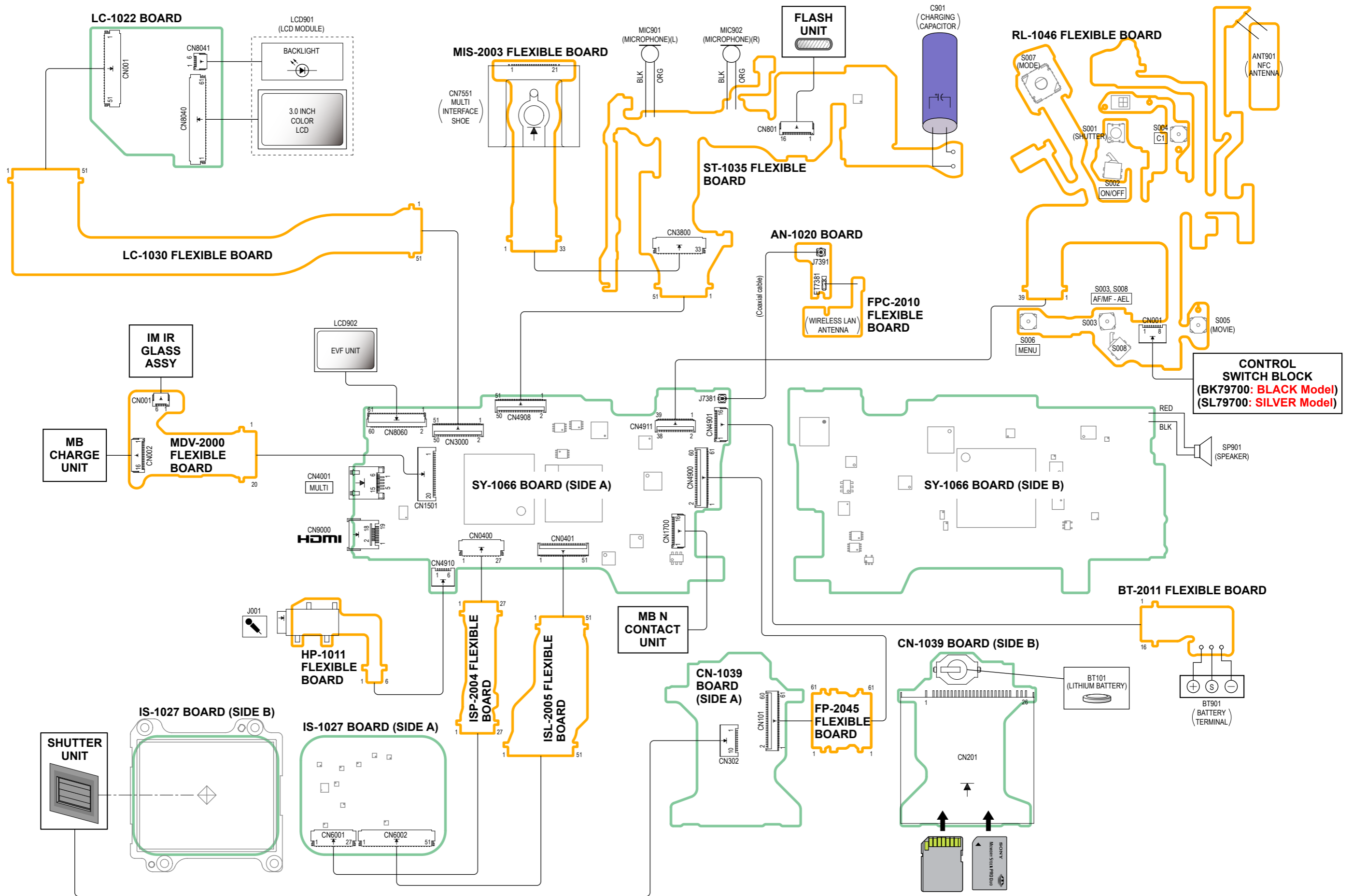
4-5. POWER BLOCK DIAGRAM (3/4) () : Number in parenthesis () indicates the division number of schematic diagram where the component is located.



4-6. POWER BLOCK DIAGRAM (4/4) () : Number in parenthesis () indicates the division number of schematic diagram where the component is located.



5. FRAME SCHEMATIC DIAGRAMS



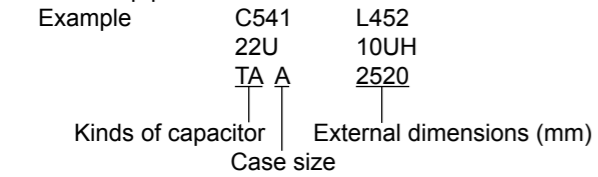
6. SCHEMATIC DIAGRAMS AND PRINTED WIRING BOARDS

- ENGLISH -

THIS NOTE IS COMMON FOR SCHEMATIC DIAGRAMS AND PRINTED WIRING BOARDS (In addition to this, the necessary note is printed in each block)

For Schematic Diagrams

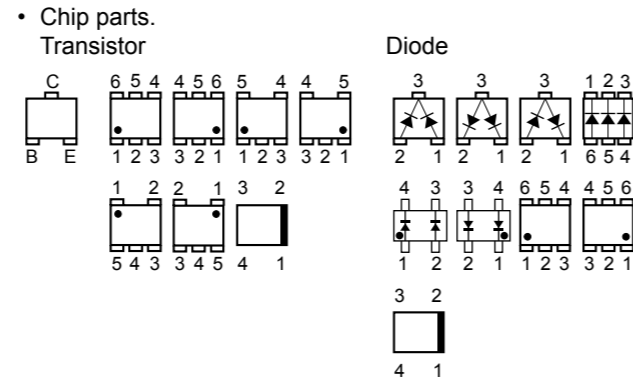
- All capacitors are in μF unless otherwise noted. $\text{pF} : \mu\text{F}$. 50 V or less are not indicated except for electrolytics and tantalums.
- Chip resistors are 1/10 W unless otherwise noted. $\text{k}\Omega=1000 \Omega$, $\text{M}\Omega=1000 \text{k}\Omega$.
- Caution when replacing chip parts. New parts must be attached after removal of chip. Be careful not to heat the minus side of tantalum capacitor, Because it is damaged by the heat.
- Some chip part will be indicated as follows.



- Constants of resistors, capacitors, ICs and etc with XX indicate that they are not used. In such cases, the unused circuits may be indicated.
- Parts with ★ differ according to the model/destination. Refer to the mount table for each function.
- All variable and adjustable resistors have characteristic curve B, unless otherwise noted.
- Signal name
XEDIT → $\overline{\text{EDIT}}$ PB/XREC → $\overline{\text{PB/REC}}$
- : non flammable resistor
- : fusible resistor
- : panel designation
- : B+ Line
- : B- Line
- : IN/OUT direction of (+, -) B LINE.
- : adjustment for repair.

For Printed Wiring Boards

- : Uses unleaded solder.
- : Circuit board
- : Flexible board
- : Pattern from the side which enables seeing.
- : pattern of the rear side
(The other layers' patterns are not indicated)
- Through hole is omitted.
- There are a few cases that the part printed on diagram isn't mounted in this model.
- : panel designation



Precautions for Replacement of Imager

- If the imager has been replaced, carry out all the adjustments for the camera section.
- As the imager may be damaged by static electricity from its structure, handle it carefully like for the MOS IC. In addition, ensure that the receiver is not covered with dusts nor exposed to strong light.

When indicating parts by reference number, please include the board name.

The components identified by mark Δ or dotted line with mark Δ are critical for safety. Replace only with part number specified.

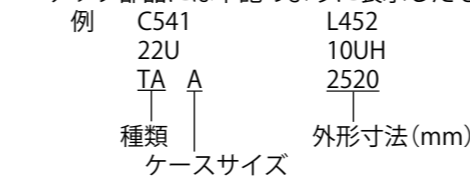
Les composants identifiés par une marque Δ sont critiques pour la sécurité. Ne les remplacer que par une pièce portant le numéro spécifié.

- JAPANESE -

回路図, プリント図共通ノート (他に必要なノートは各セクションに記載しています)

回路図ノート

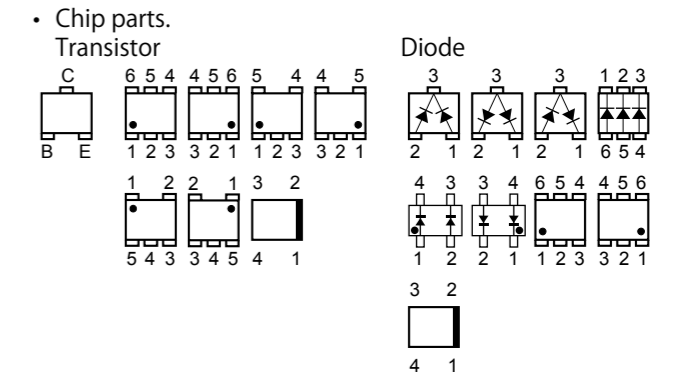
- ケミコン, タンタルを除くコンデンサで, 耐圧50V以下のものはその耐圧を省略. 単位はすべて μF (pはpF).
- チップ抵抗で指示のないものは, 1/10W以下. $\text{k}\Omega=1000\Omega$, $\text{M}\Omega=1000\text{k}\Omega$
- チップ部品交換時の注意
取り外した部品は再使用せず, 未使用の部品をご使用ください.
タンタルコンデンサのマイナス側は熱に弱いため注意してください.
- チップ部品には下記のように表示したものがああります.



- 抵抗, コンデンサ, ICなど定数にXXがあるものは, 使用していない事を示しています. このため, 使用していない回路が記載されている事があります.
- ★印のある部品は, 機種などにより異なりますので機能別マウント一覧表を参照してください.
- 可変抵抗と半固定抵抗で, B特性の表示を省略.
- 信号名表記について, 下記のような場合があります.
XEDIT → $\overline{\text{EDIT}}$ PB/XREC → $\overline{\text{PB/REC}}$
- は不燃性抵抗。
- はヒューズ抵抗。
- はパネル表示名称。
- はB+ライン。
- はB-ライン。
- はBライン(+, -)の入出力方向を示す。
- は調整名称。

プリント図ノート

- : 無鉛半田を使用しています。
- : 基板
- : フレキシブル配線板
見ている面側のパターン。
- : 裏側のパターン
(他のパターンについては表示されていません)
- スルーホールは省略。
- プリント図には, 本機で使用していない部品が記載されている場合があります。
- はパネル表示名称。



イメージ交換時の注意

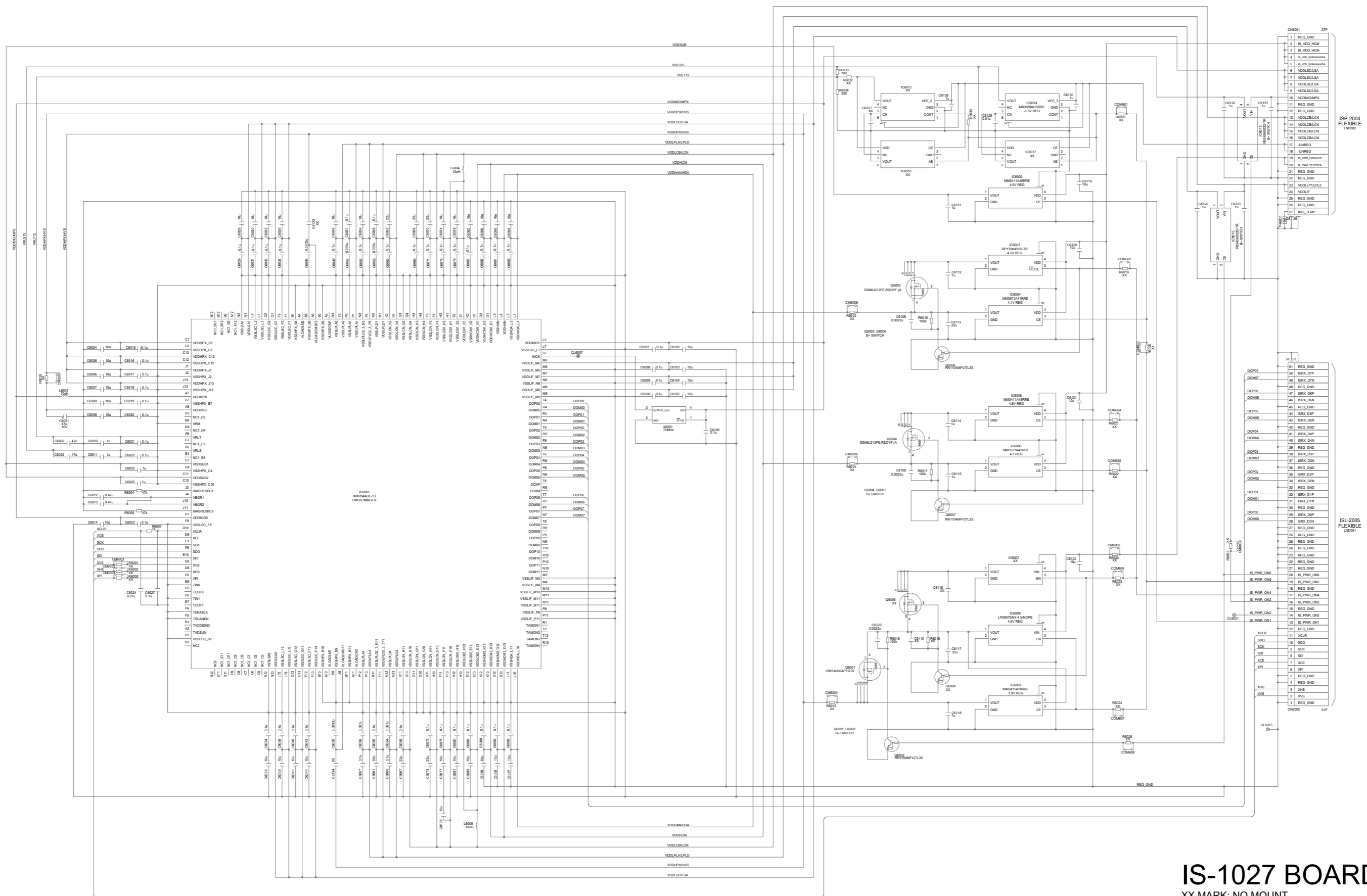
- イメージャを交換した場合は, カメラ部の全調整を行ってください。
- イメージャは構造上, 静電気により破壊される恐れがあるため, MOS ICと同様に注意して取り扱ってください。また, 受光部にはゴミの付着, および強い光がはいることのないように注意してください。

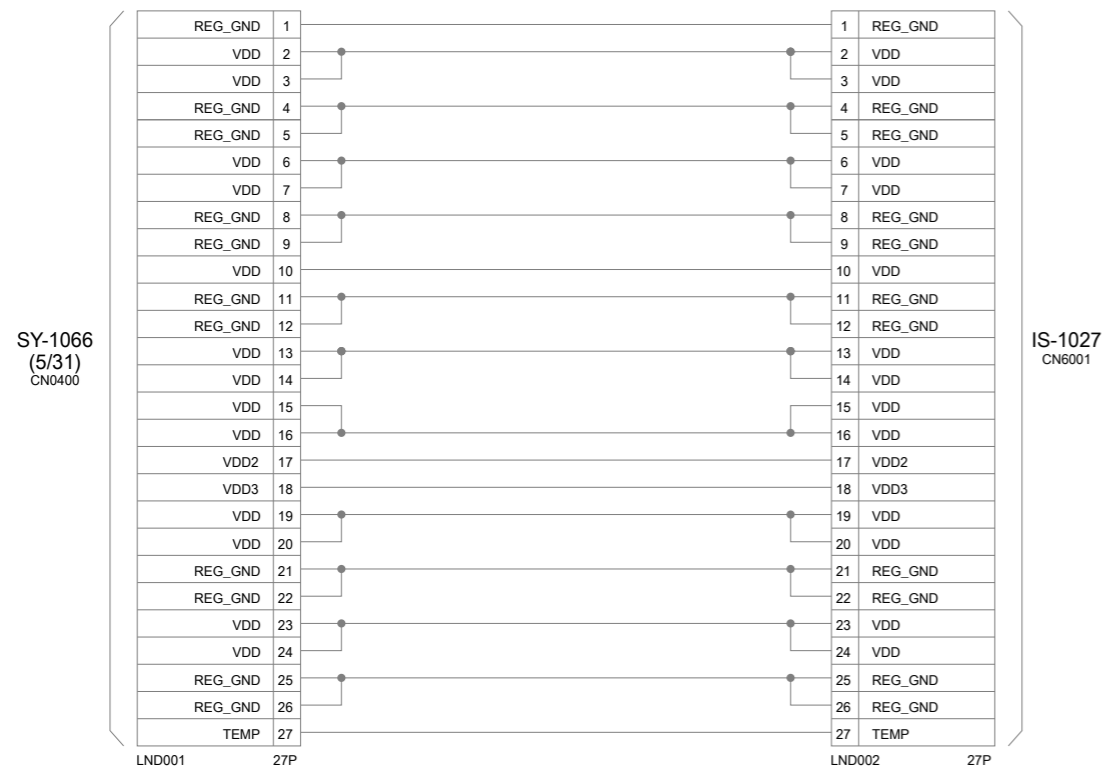
お願い

図面番号で部品を指定するときは基板名又はブロックを併せて指定してください。

Δ 印の部品, または Δ 印付の点線で囲まれた部品は, 安全性を維持するために, 重要な部品です。従って交換時は, 必ず指定の部品を使用してください。

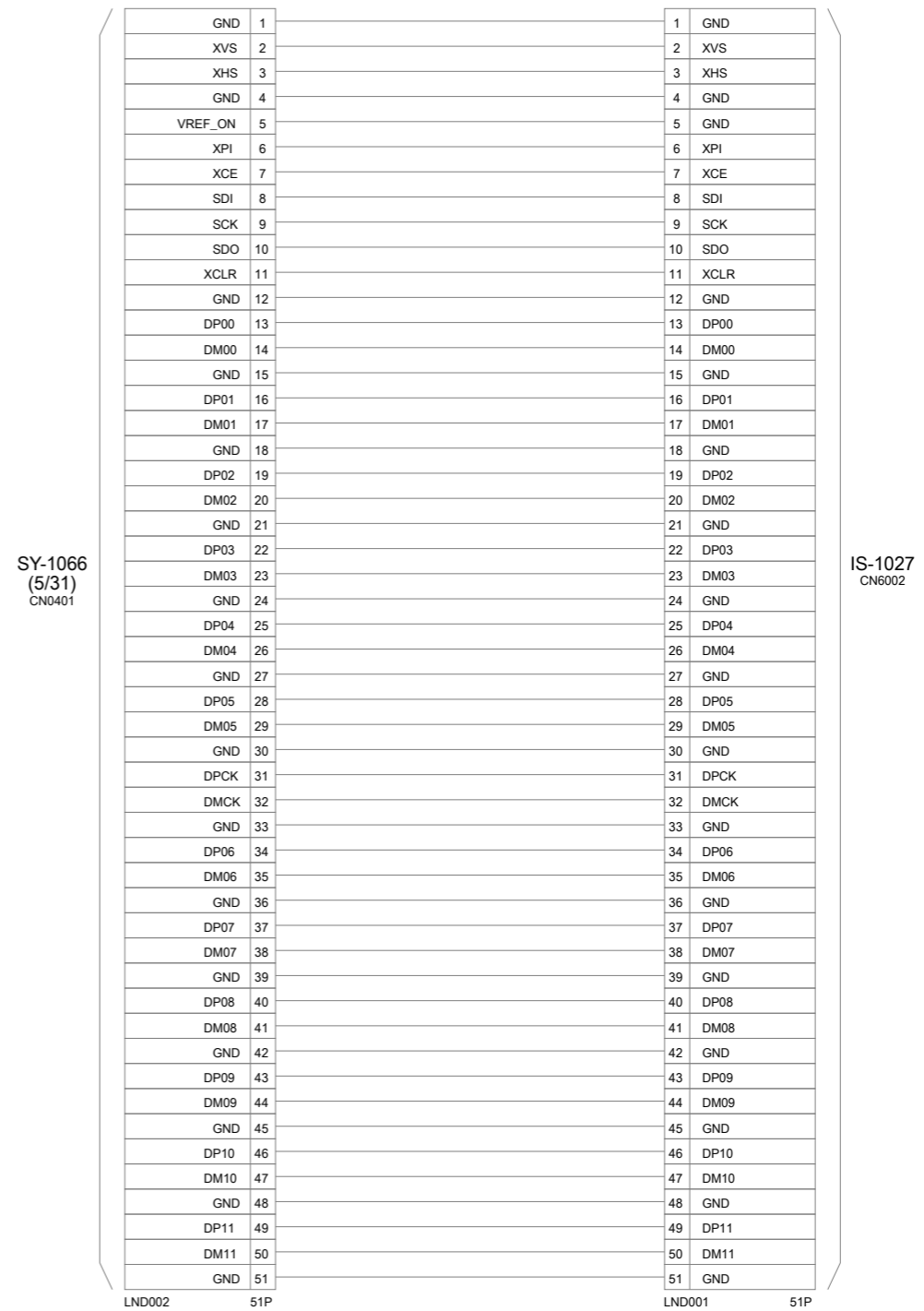
6-1. SCHEMATIC DIAGRAMS





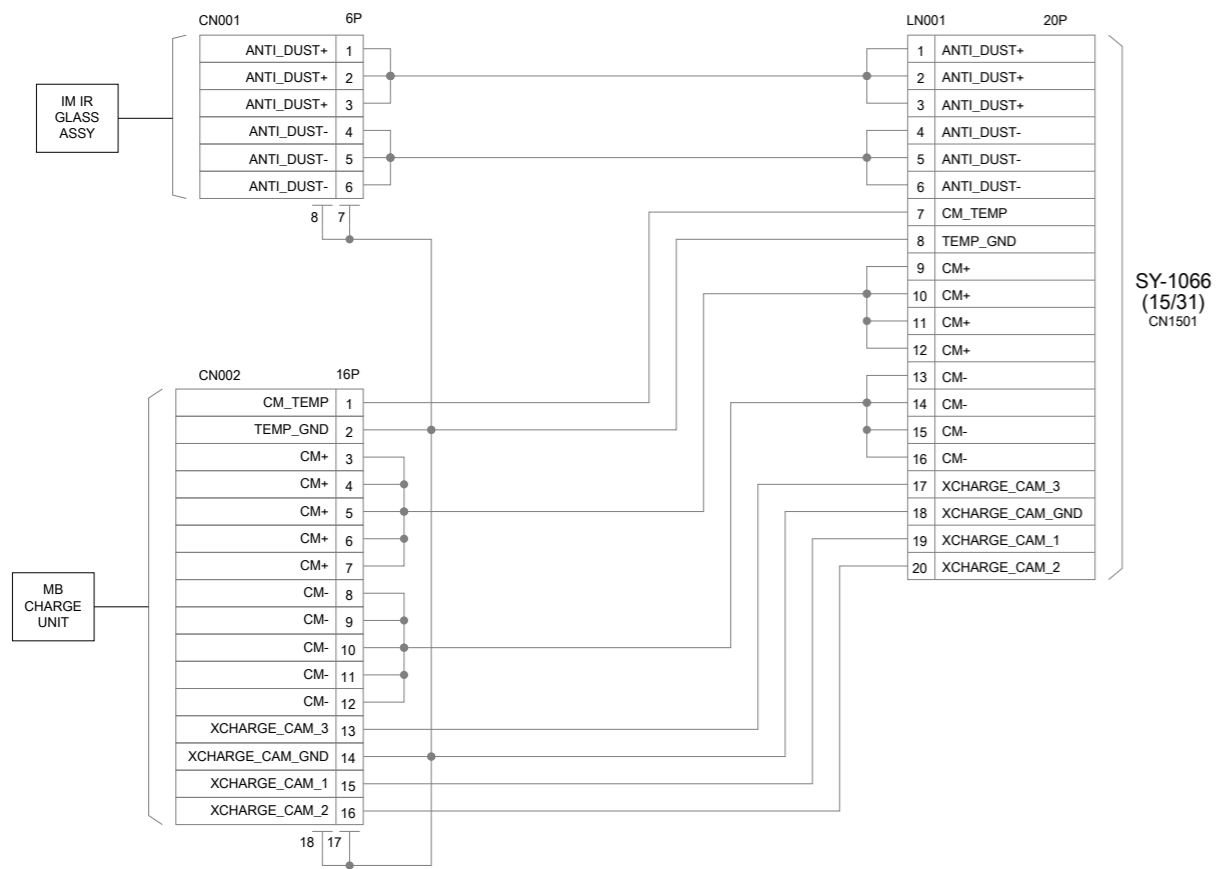
ISP-2004 FLEXIBLE BOARD

(PRINTED WIRING BOARD is omitted.)

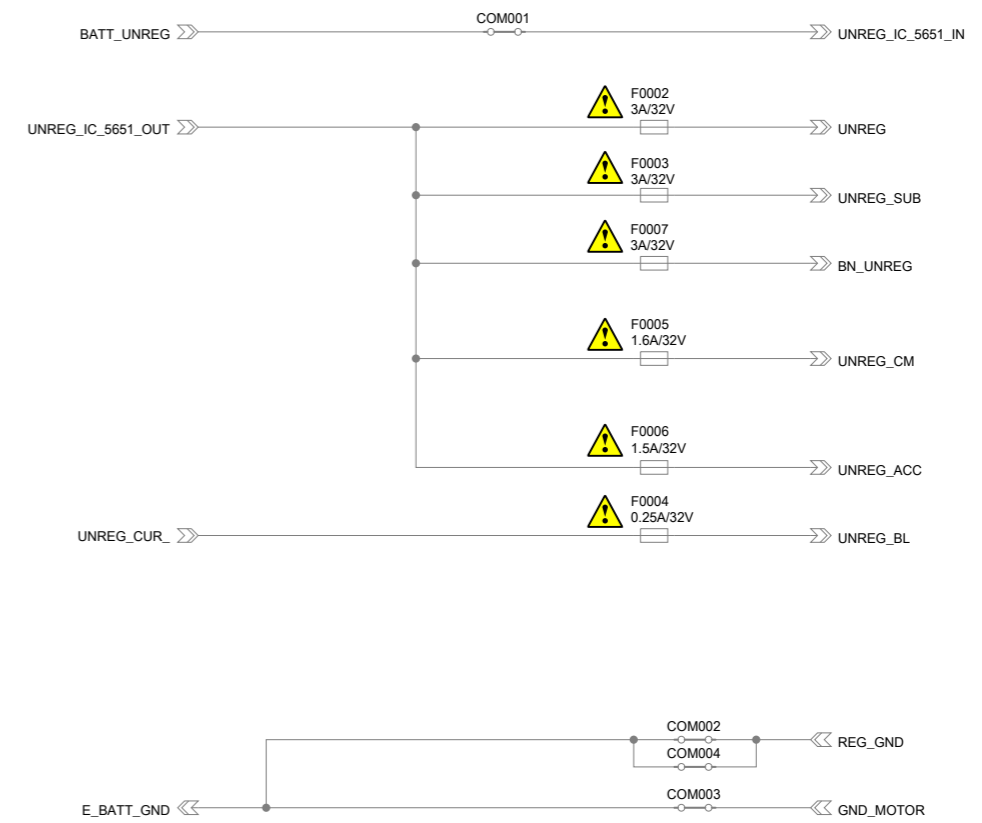


ISL-2005 FLEXIBLE BOARD

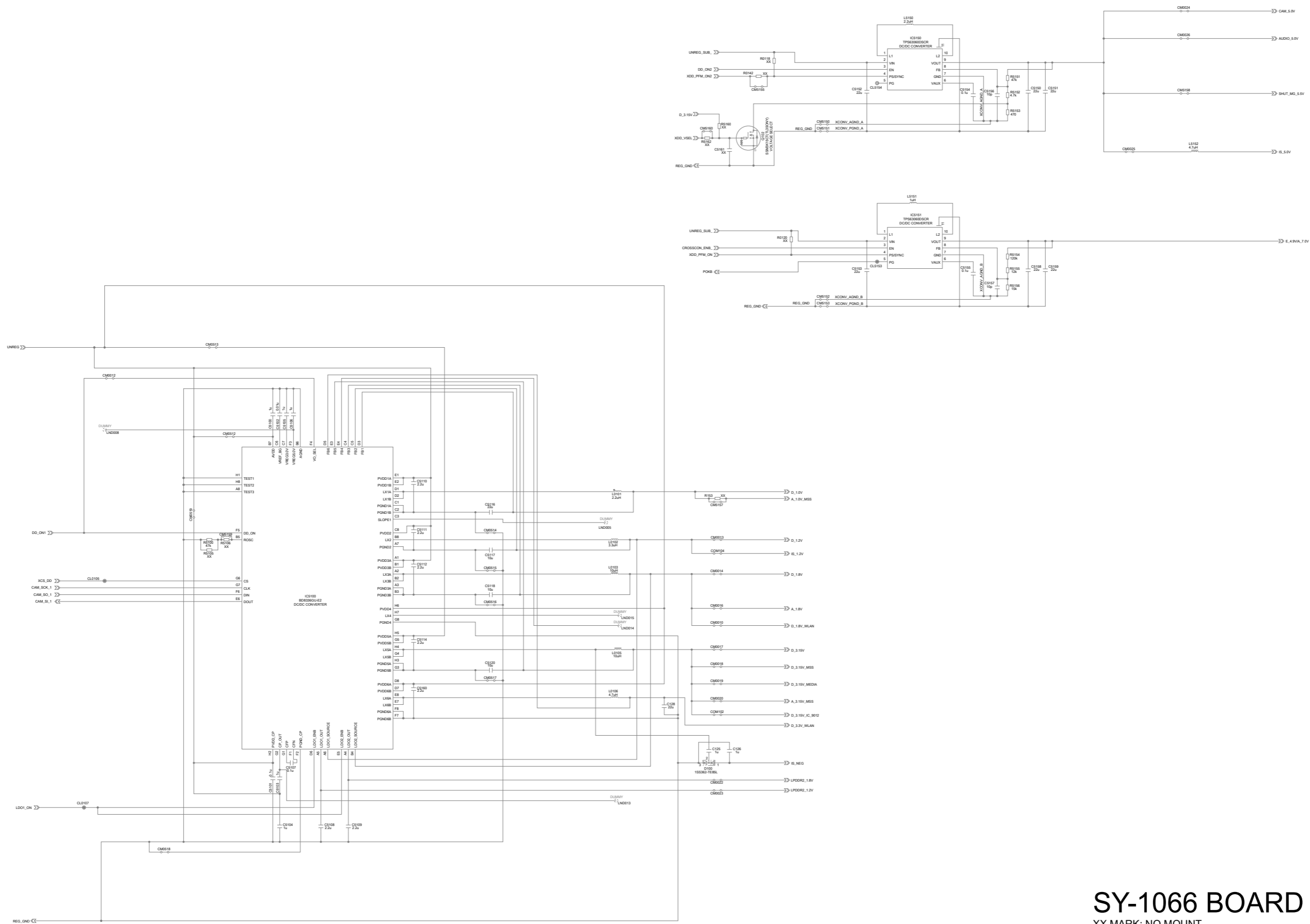
(PRINTED WIRING BOARD is omitted.)



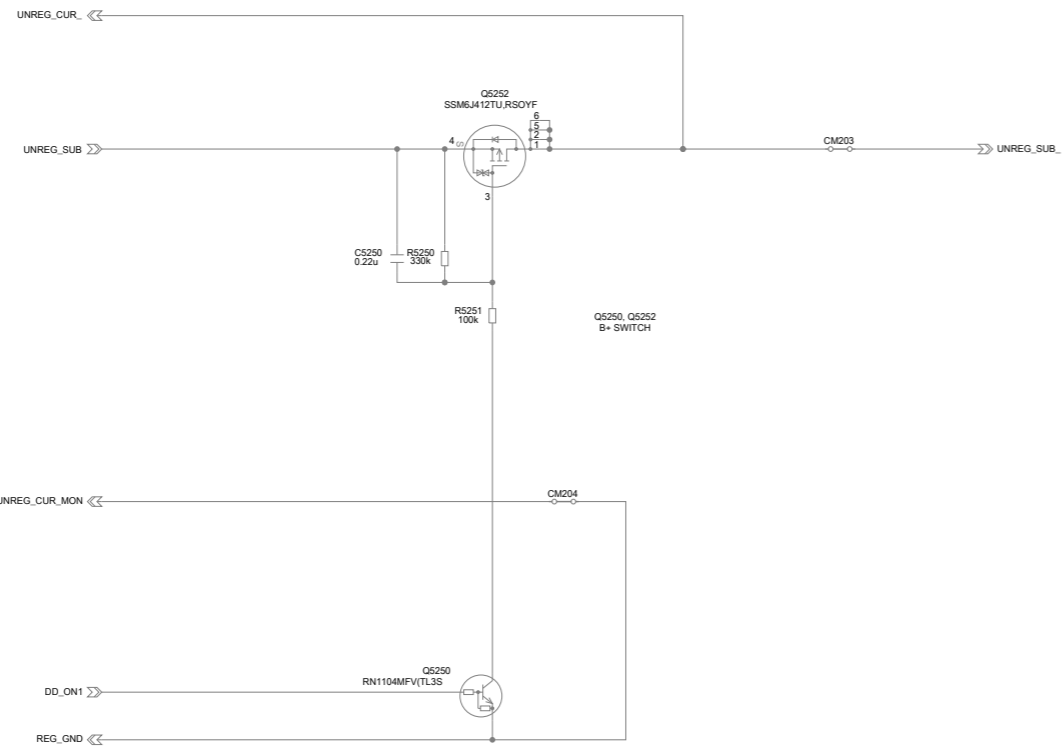
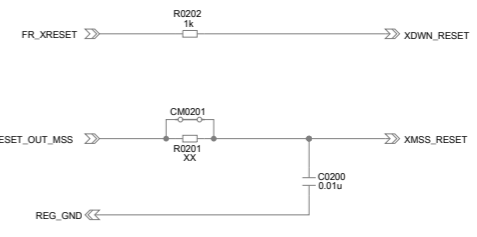
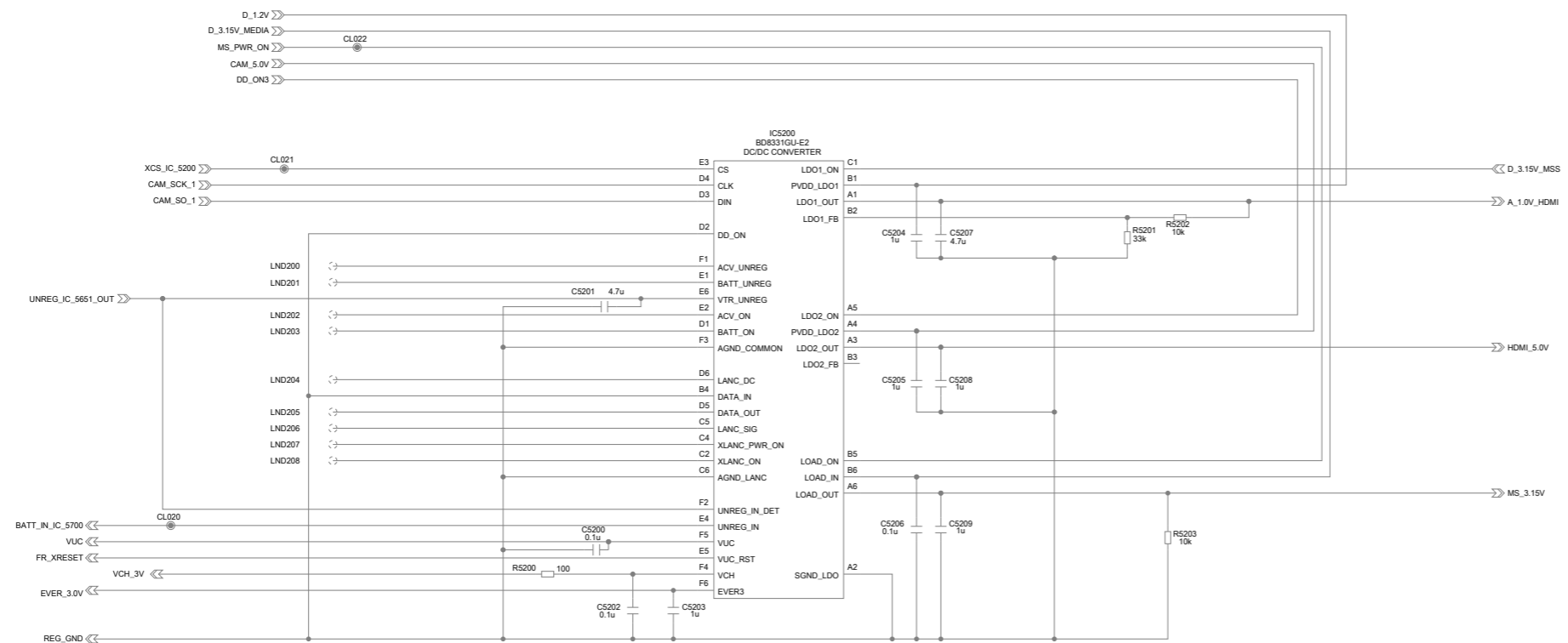
MDV-2000 FLEXIBLE BOARD



SY-1066 BOARD (1/31)

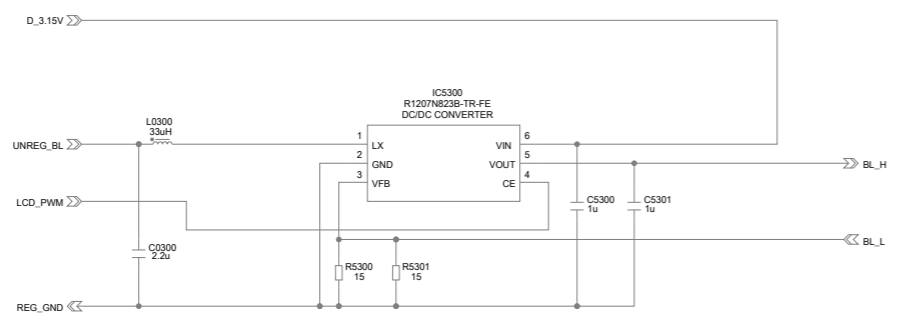
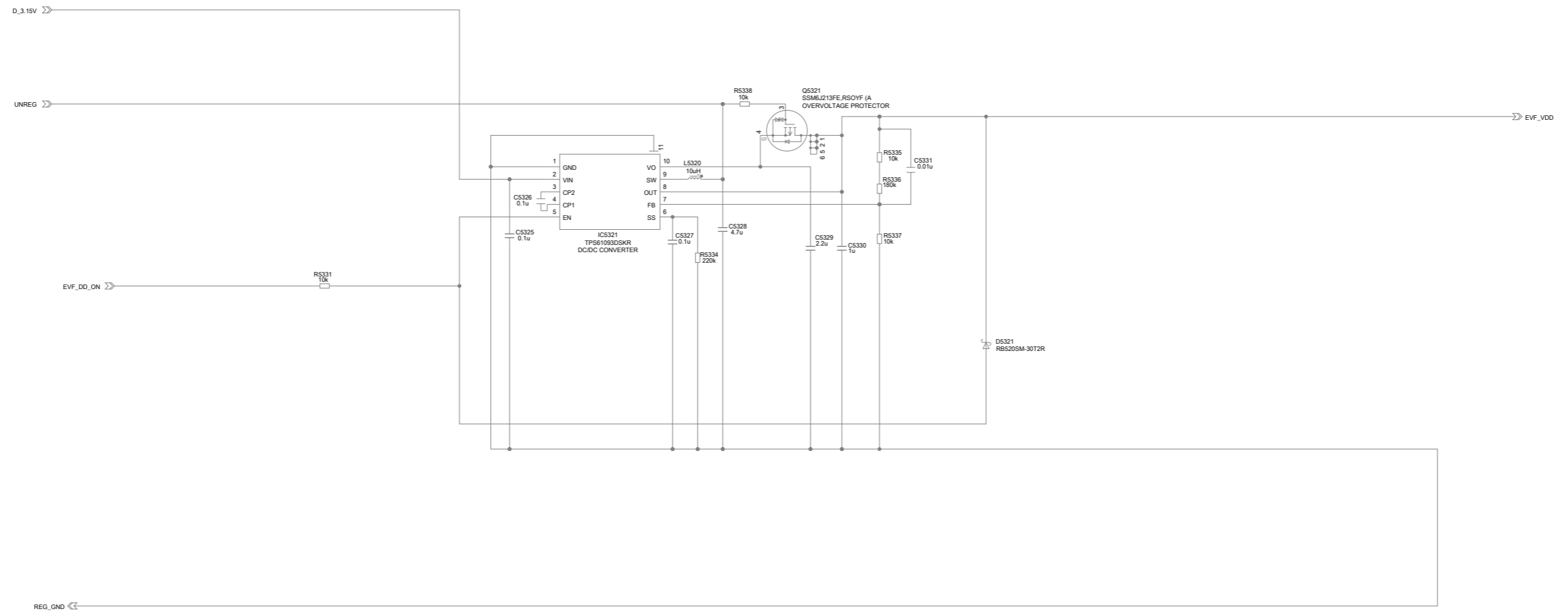


SY-1066 BOARD (2/31)
 XX MARK: NO MOUNT



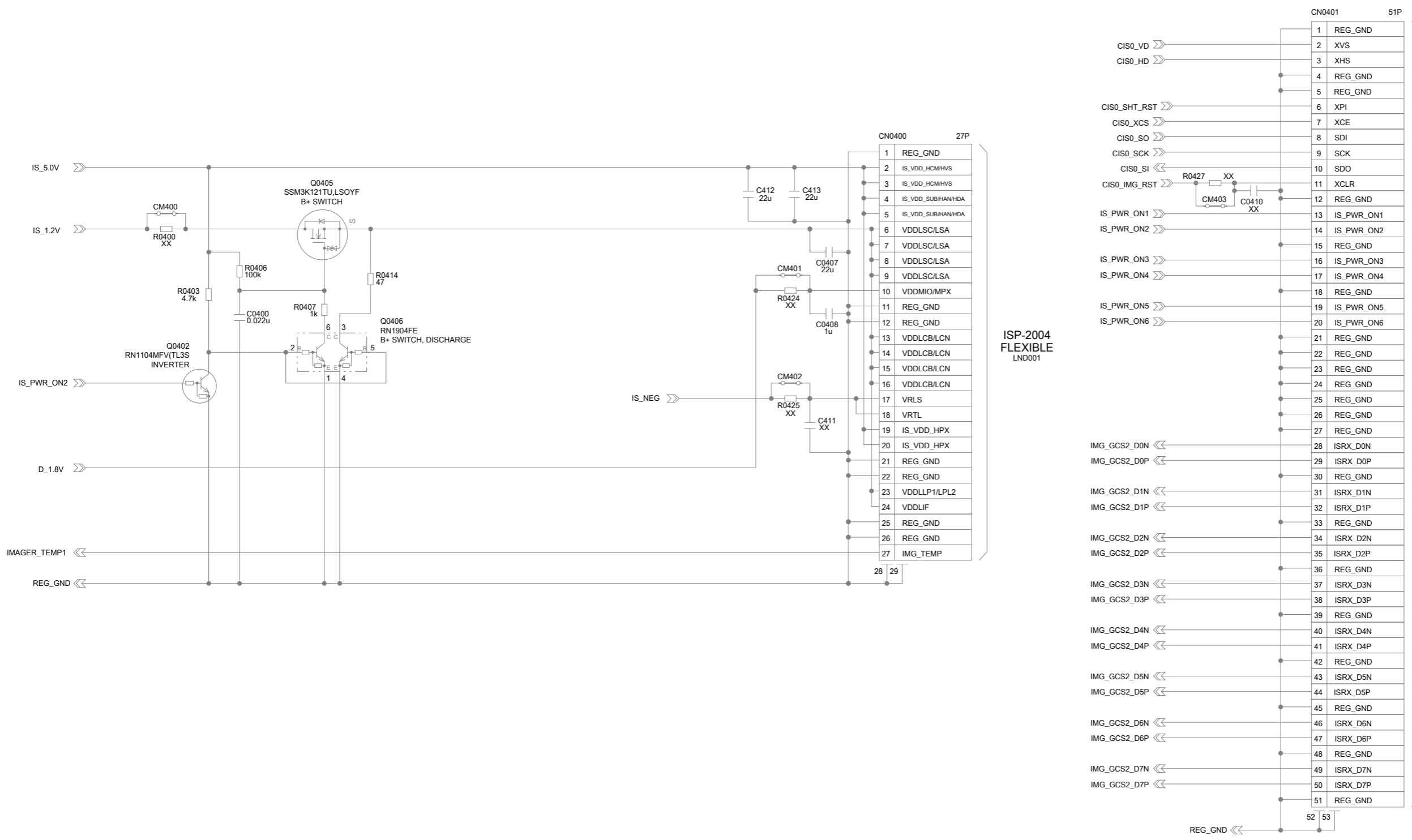
SY-1066 BOARD (3/31)

XX MARK: NO MOUNT



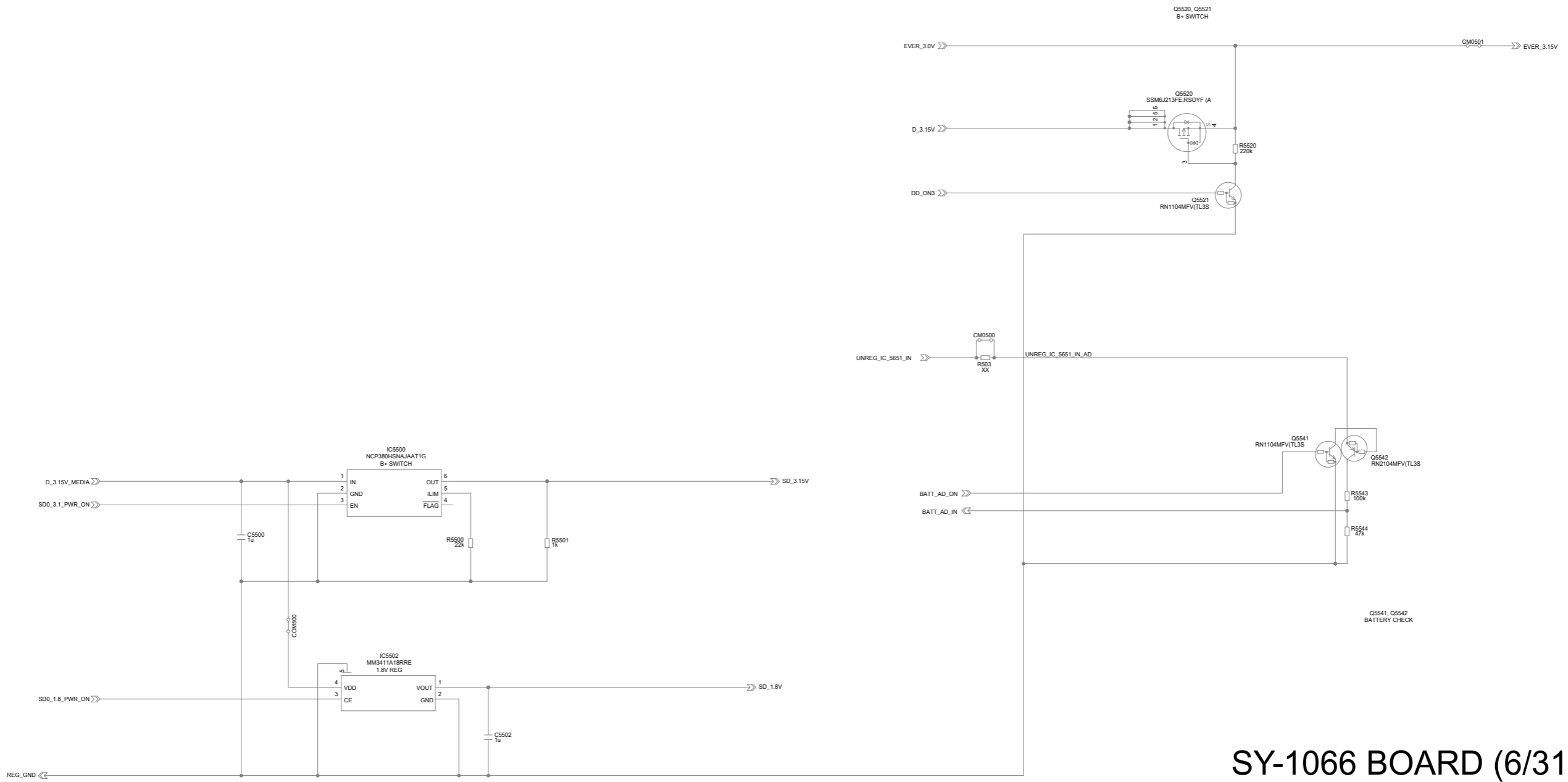
SY-1066 BOARD (4/31)

XX MARK: NO MOUNT



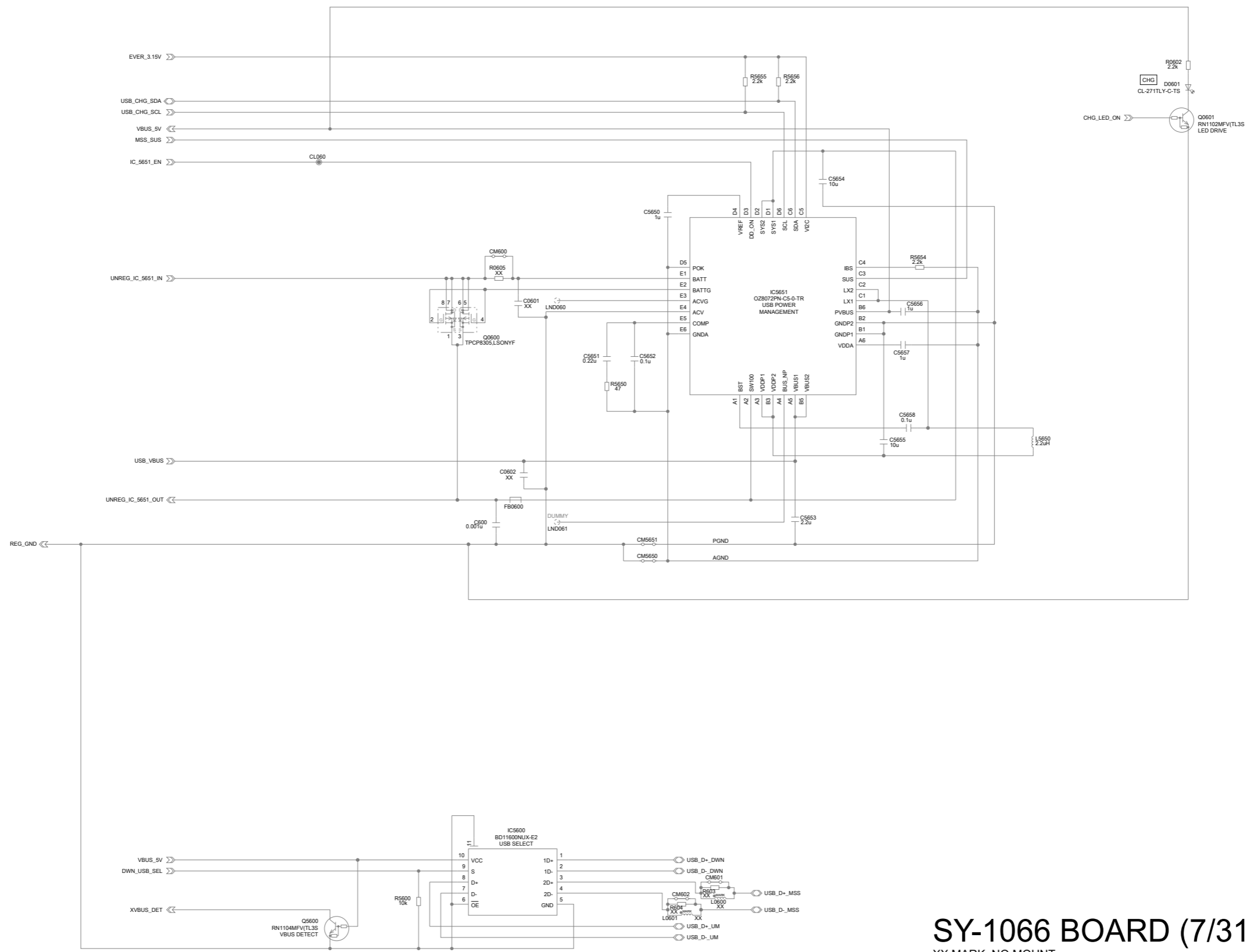
SY-1066 BOARD (5/31)

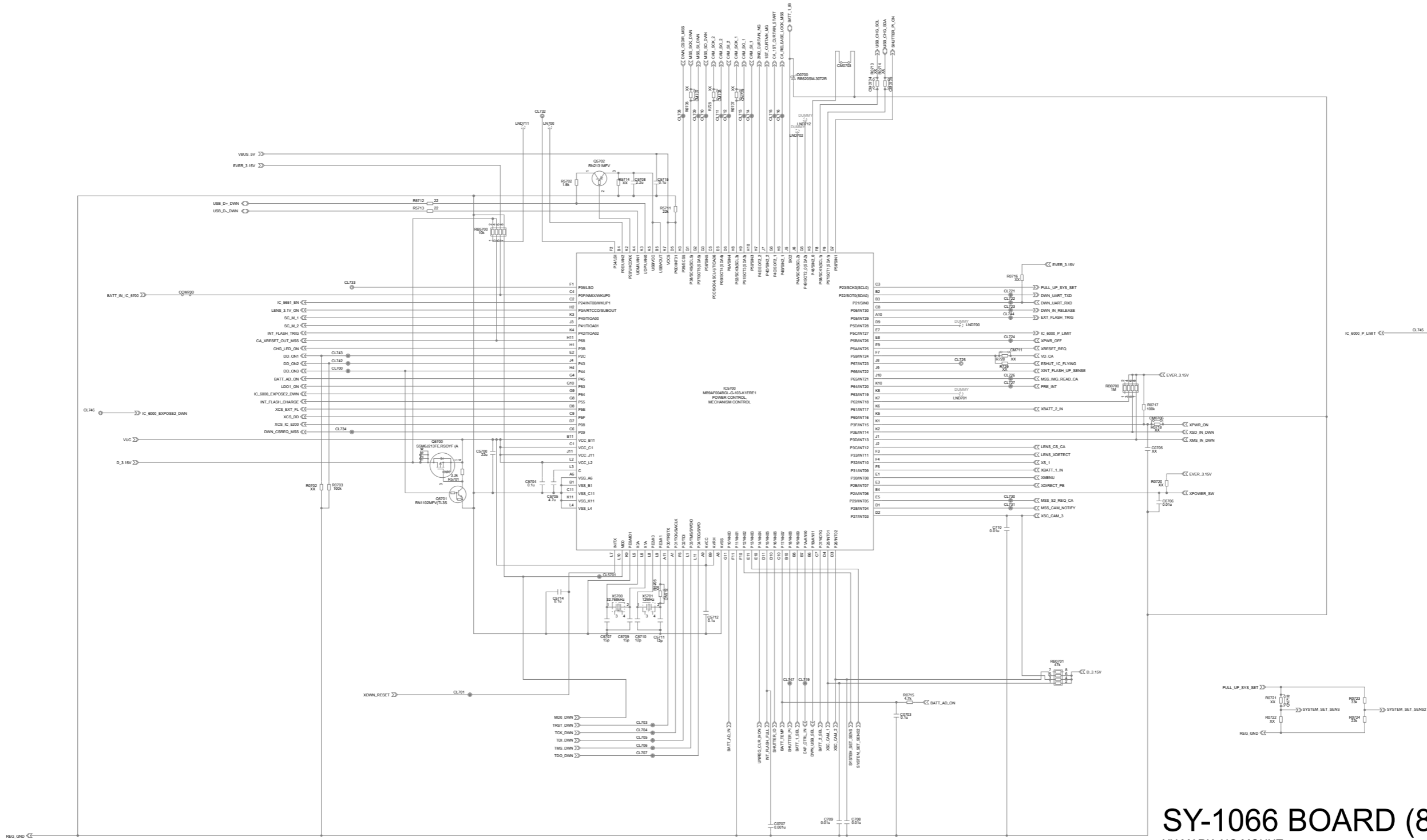
XX MARK: NO MOUNT



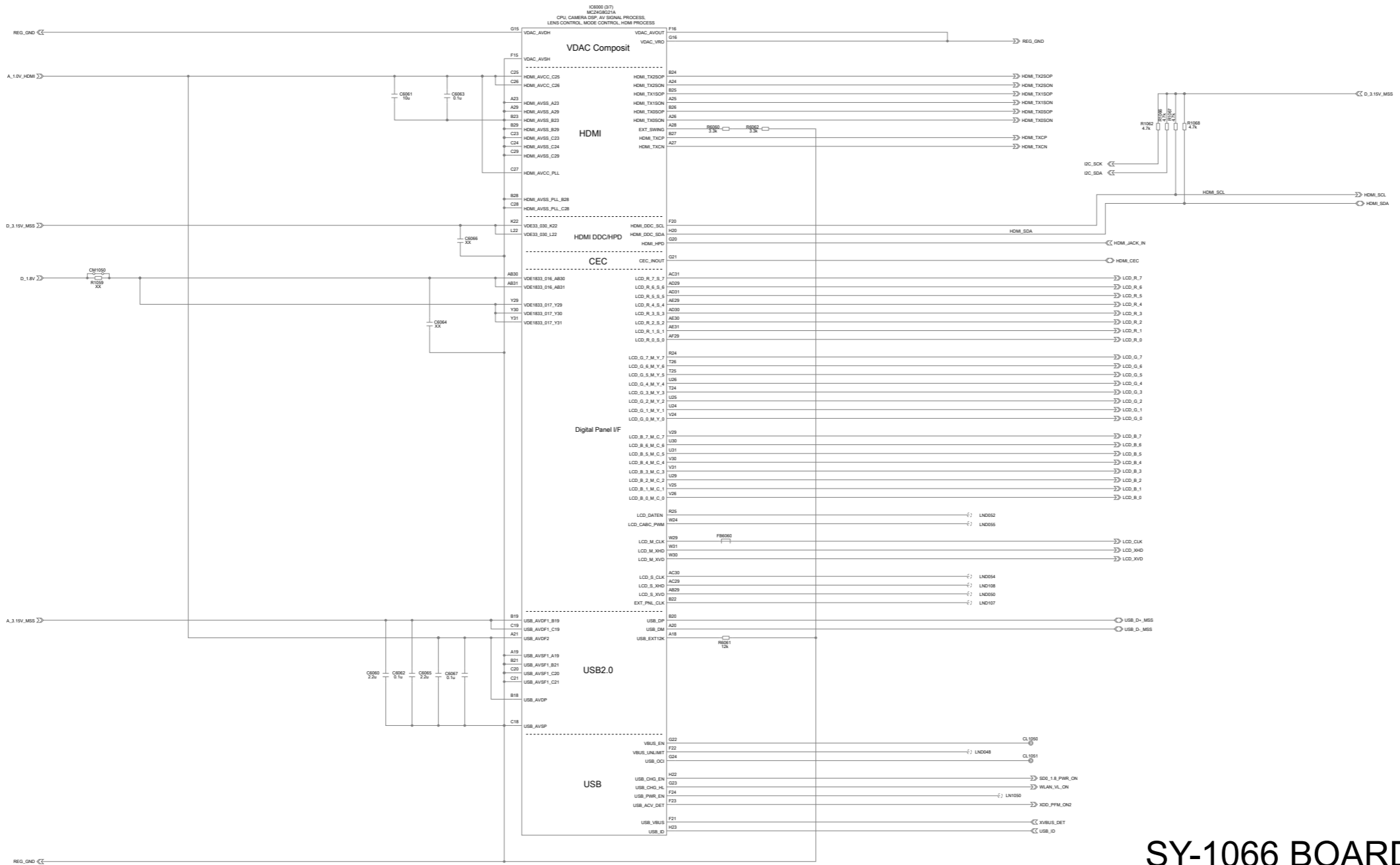
SY-1066 BOARD (6/31)

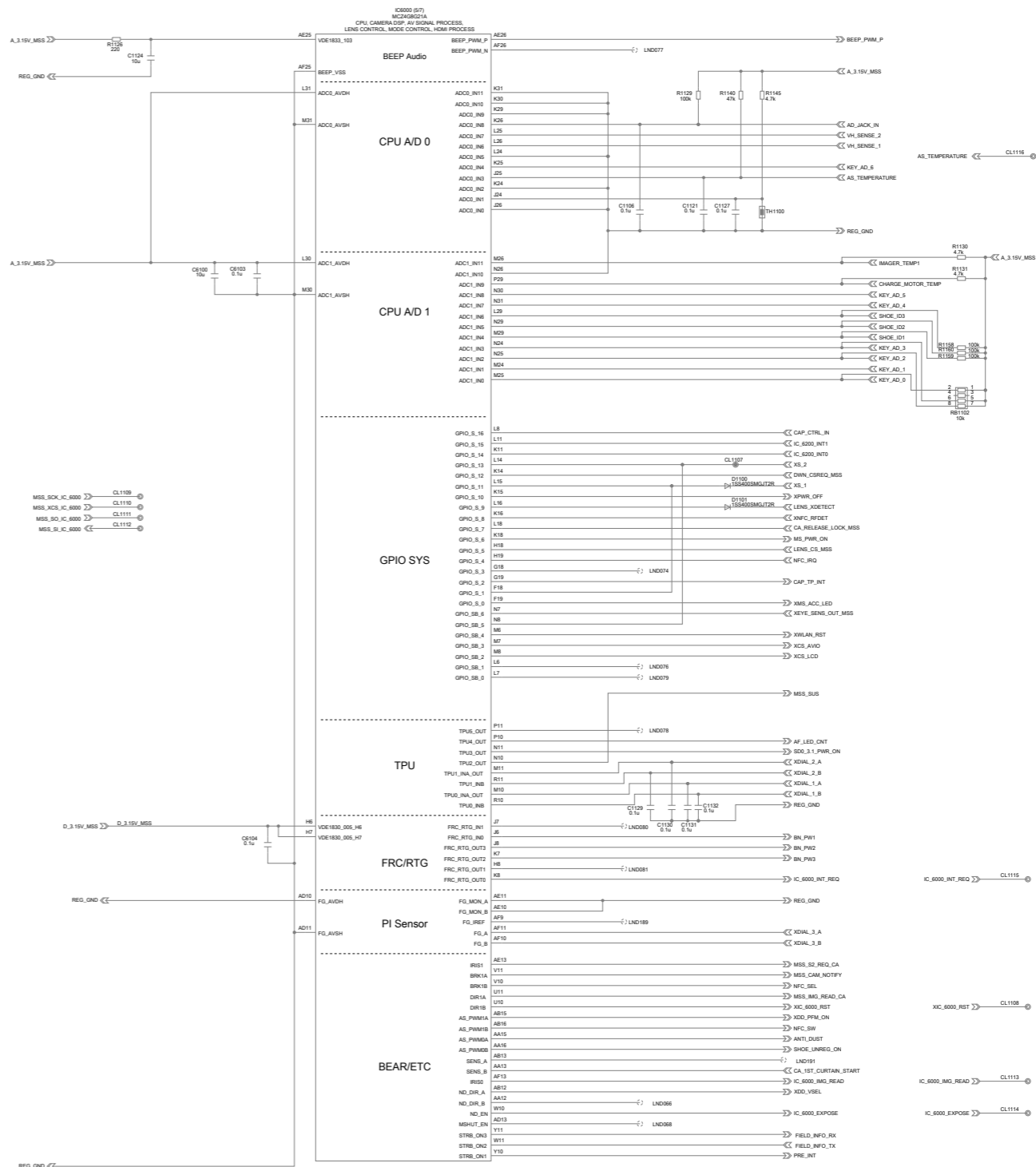
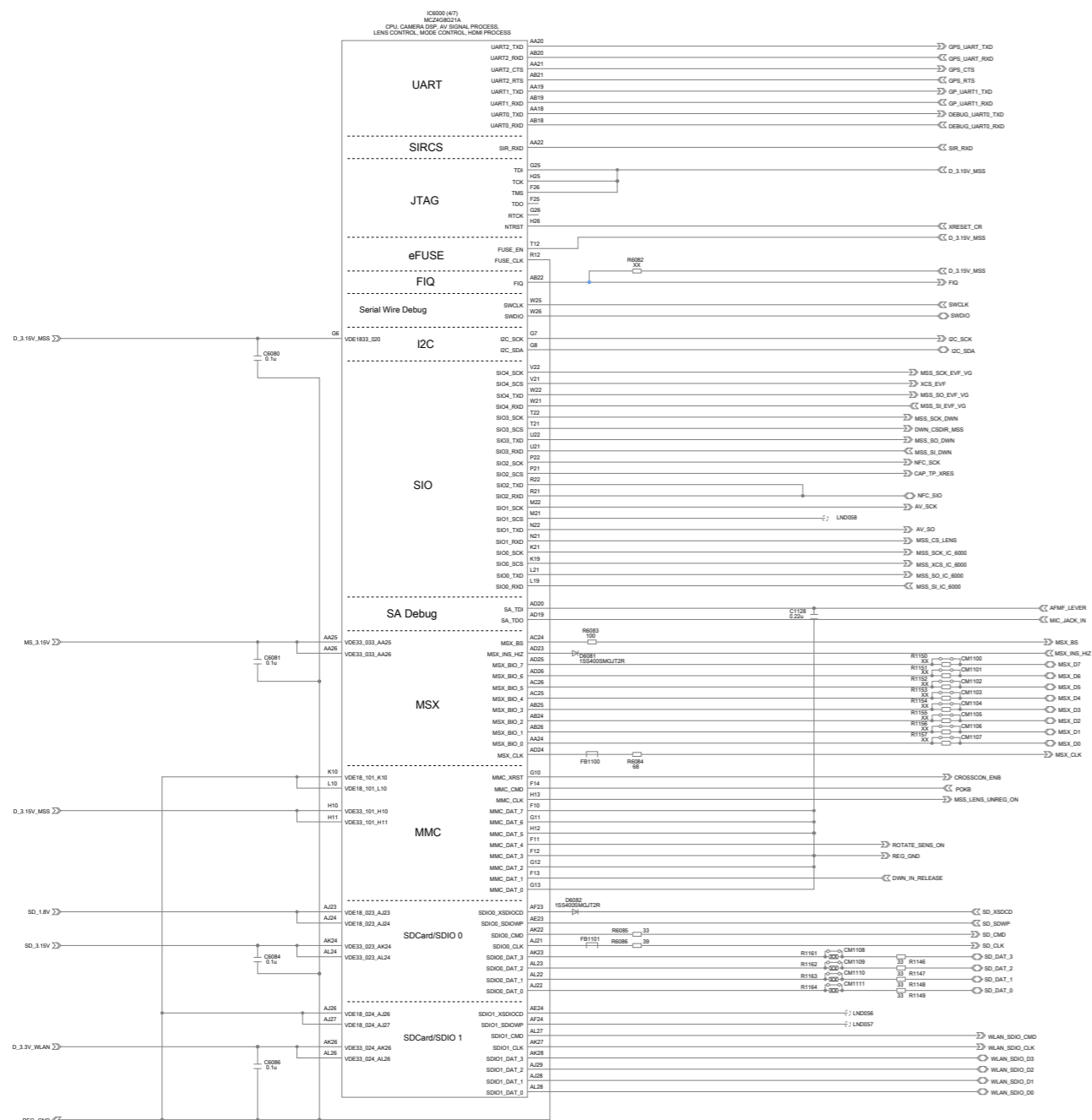
XX MARK: NO MOUNT





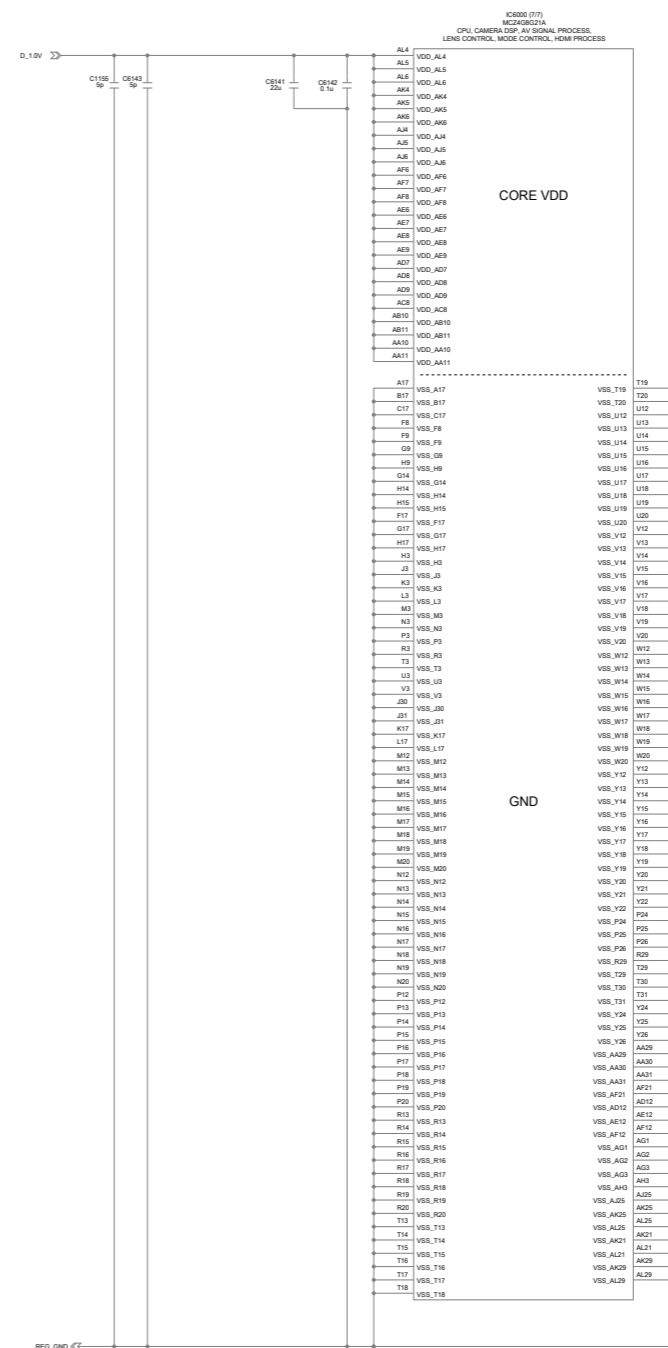
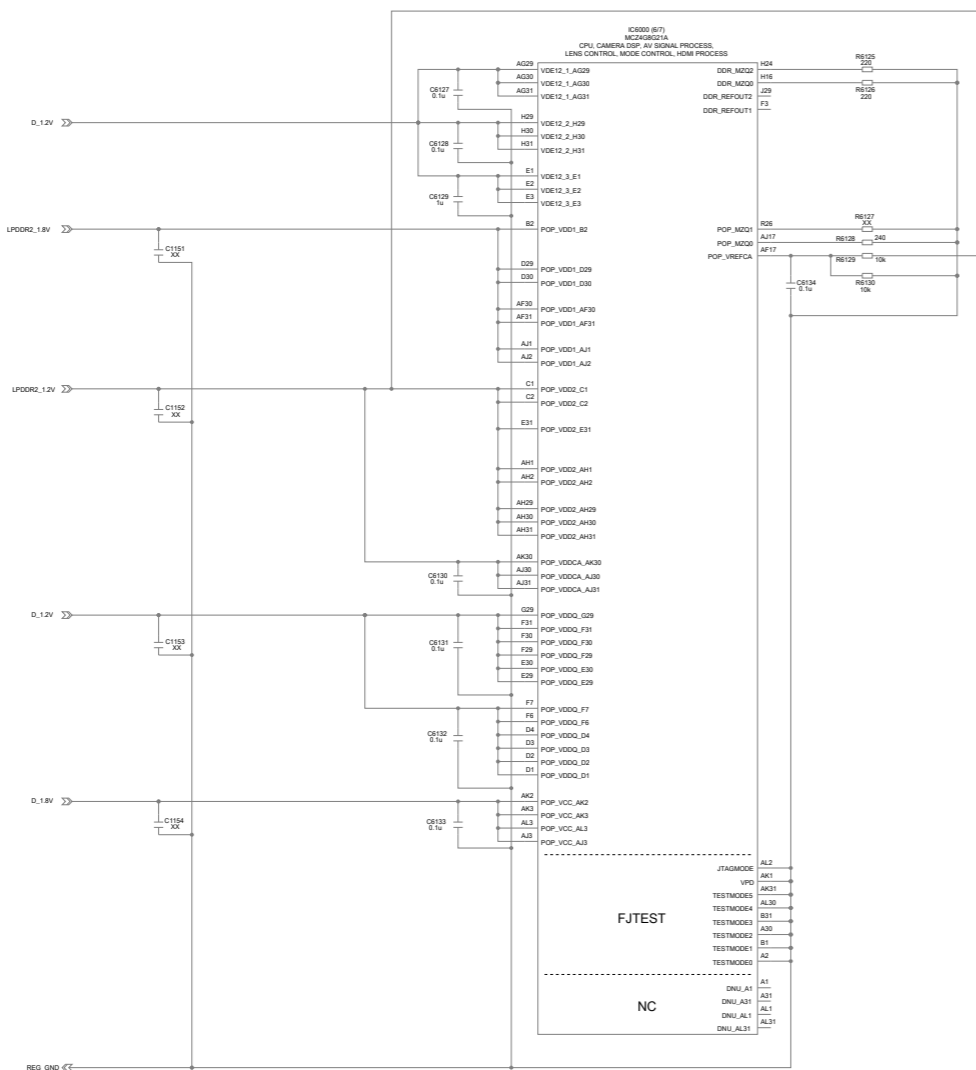
SY-1066 BOARD (8/31)
 XX MARK: NO MOUNT



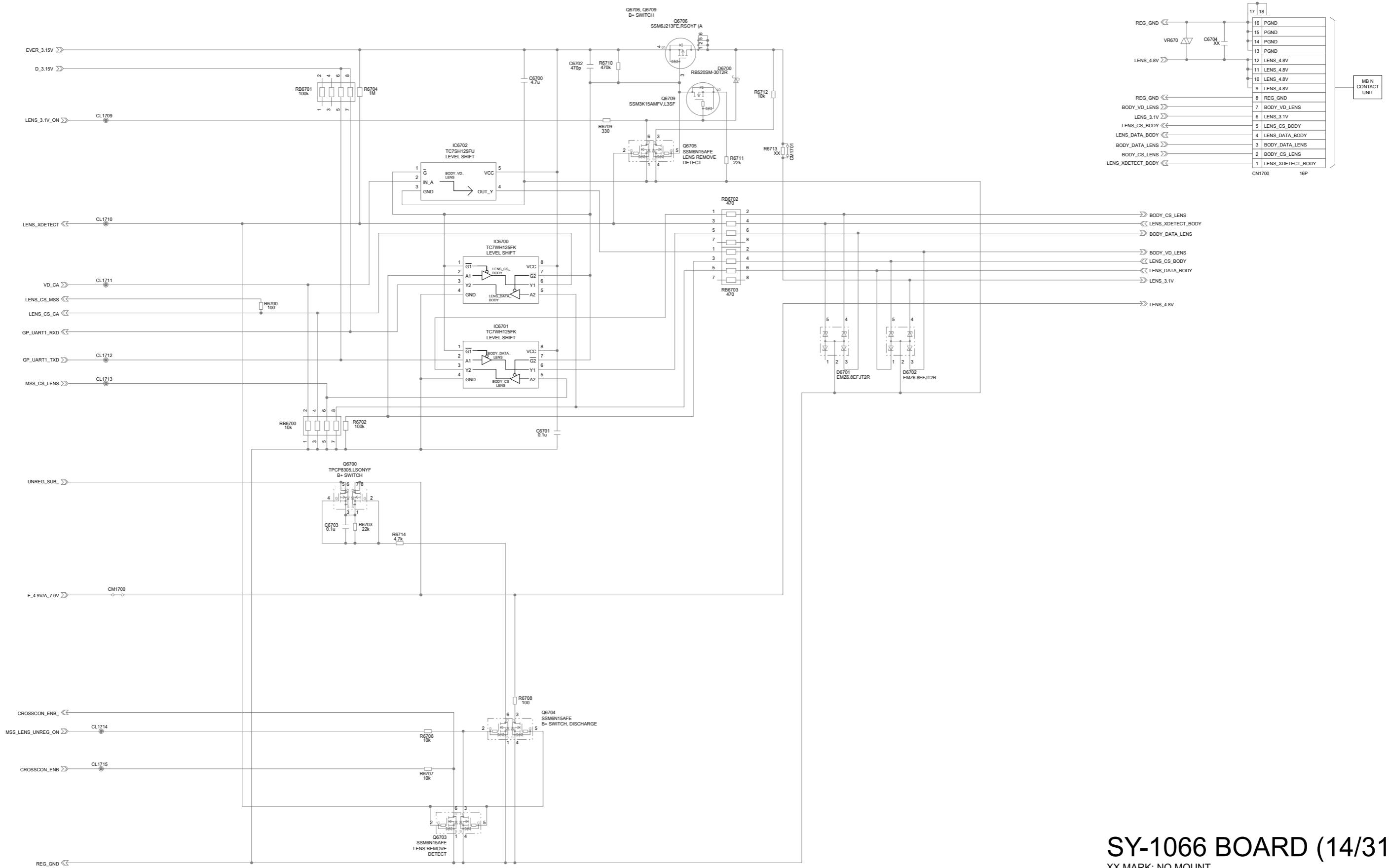


SY-1066 BOARD (11/31)

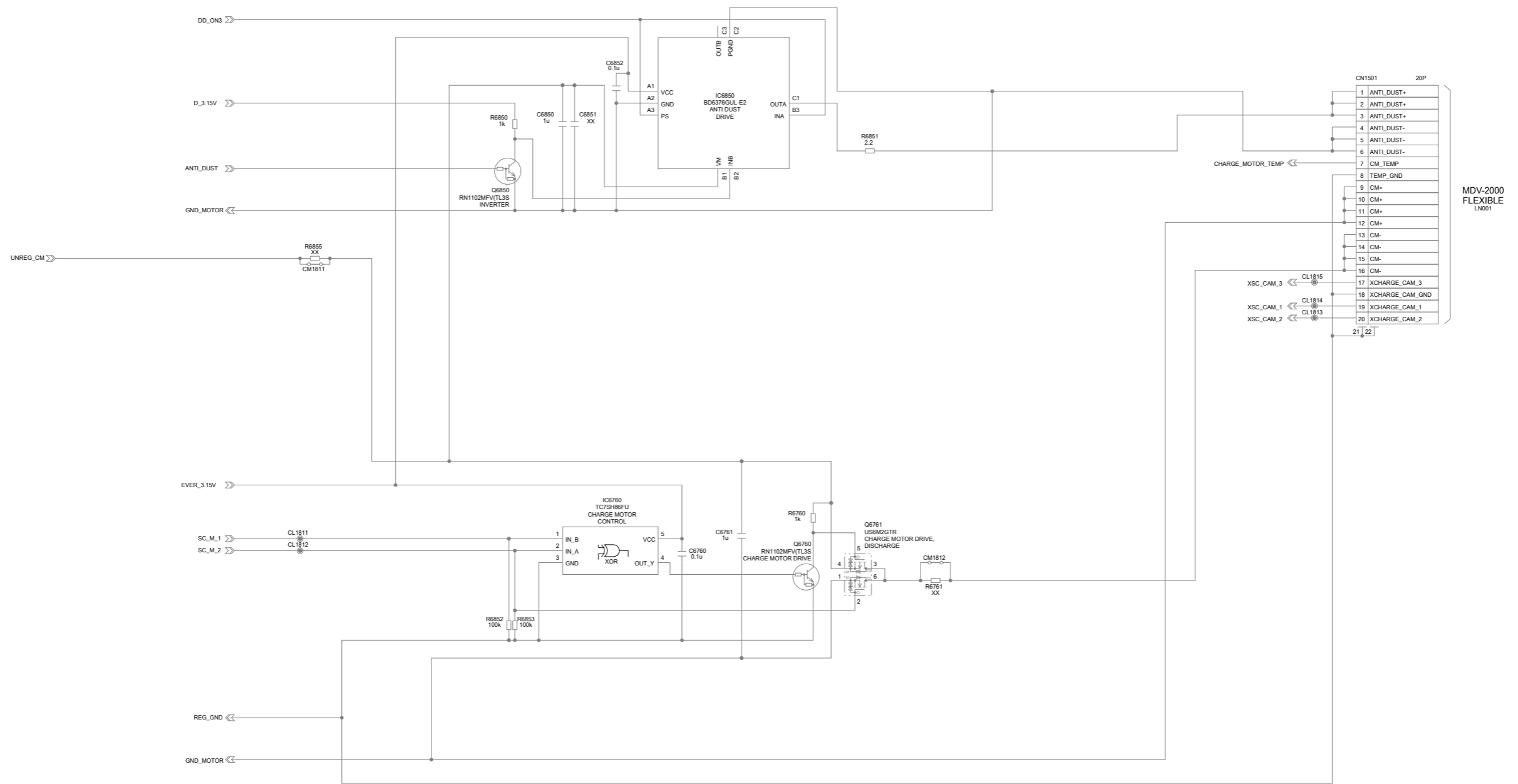
XX MARK: NO MOUNT



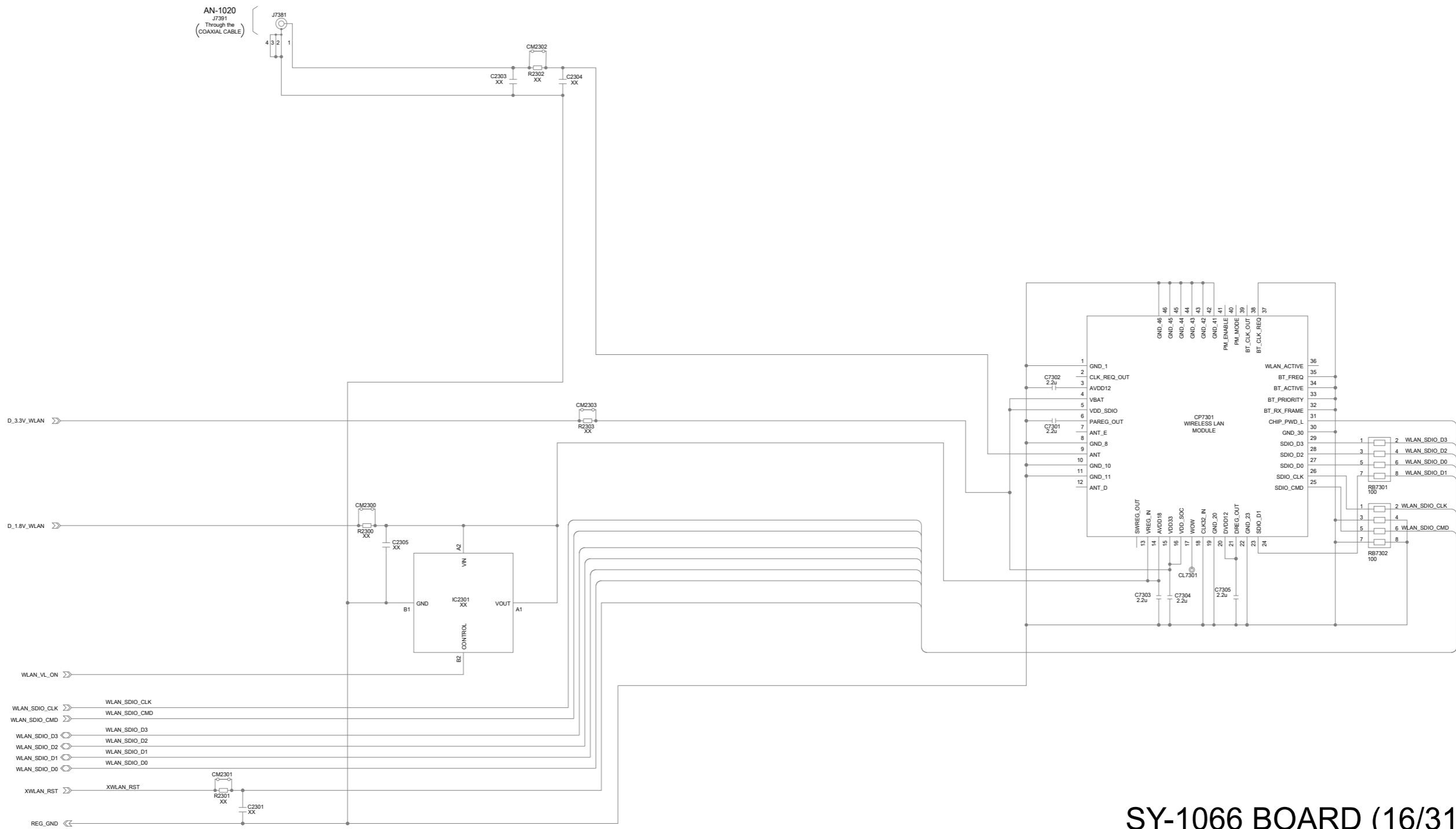
SY-1066 BOARD (12/31)
XX MARK: NO MOUNT



SY-1066 BOARD (14/31)
XX MARK: NO MOUNT



SY-1066 BOARD (15/31)
XX MARK: NO MOUNT

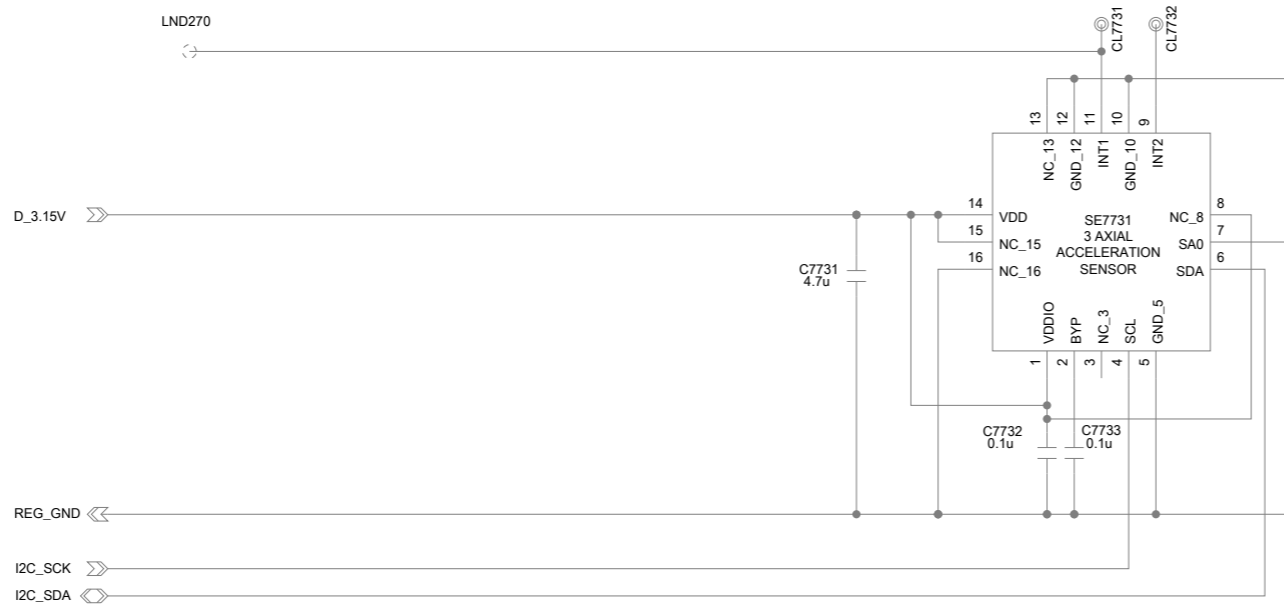
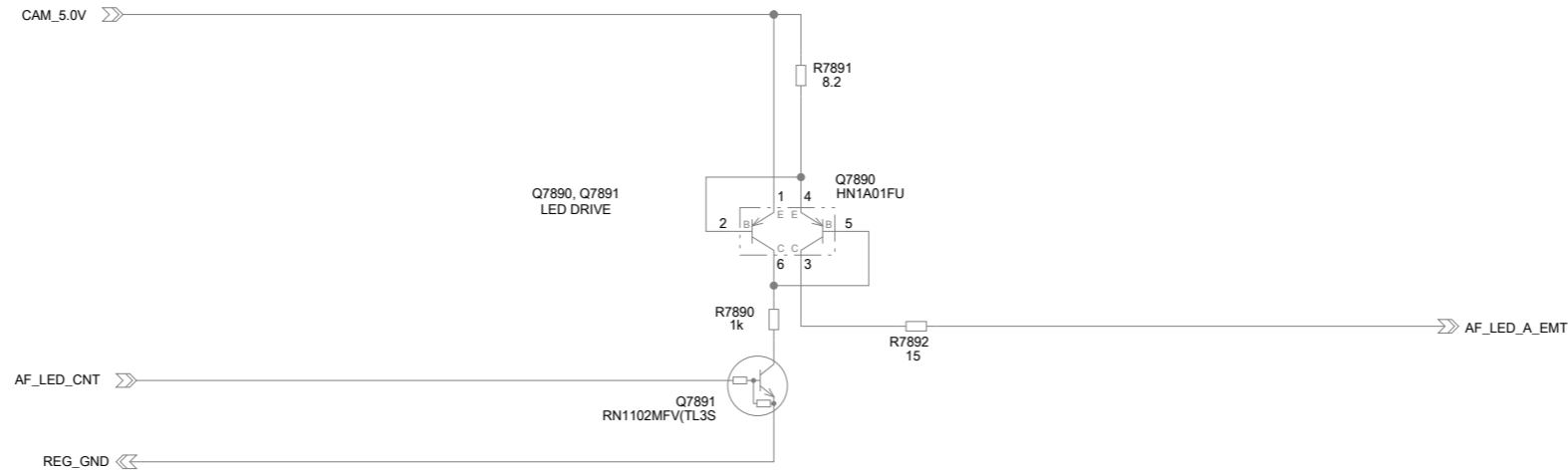


SY-1066 BOARD (16/31)
XX MARK: NO MOUNT



SY-1066 BOARD (17/31)

XX MARK: NO MOUNT

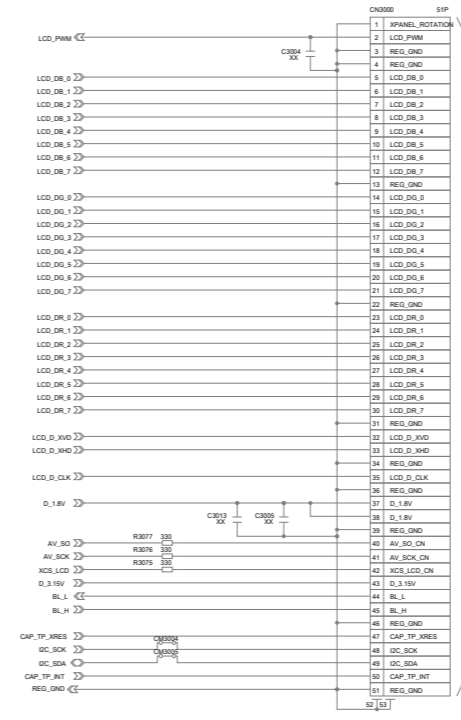
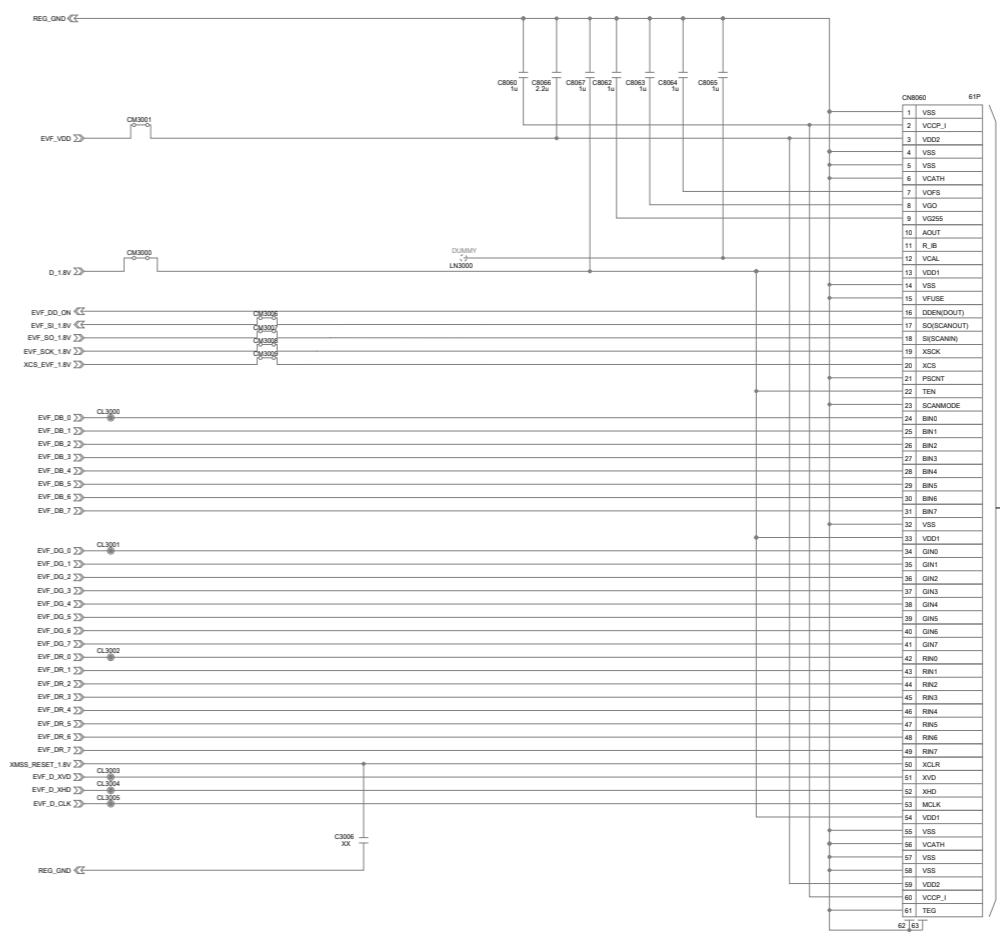
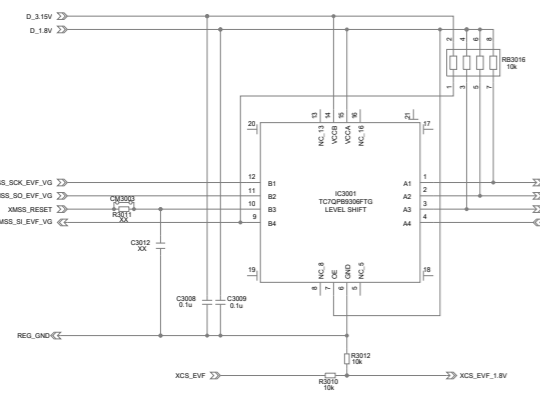


SY-1066 BOARD (18/31)
 XX MARK: NO MOUNT

LCD_B_0	LCD_B_0
LCD_B_1	LCD_B_1
LCD_B_2	LCD_B_2
LCD_B_3	LCD_B_3
LCD_B_4	LCD_B_4
LCD_B_5	LCD_B_5
LCD_B_6	LCD_B_6
LCD_B_7	LCD_B_7
LCD_G_0	LCD_G_0
LCD_G_1	LCD_G_1
LCD_G_2	LCD_G_2
LCD_G_3	LCD_G_3
LCD_G_4	LCD_G_4
LCD_G_5	LCD_G_5
LCD_G_6	LCD_G_6
LCD_G_7	LCD_G_7
LCD_R_0	LCD_R_0
LCD_R_1	LCD_R_1
LCD_R_2	LCD_R_2
LCD_R_3	LCD_R_3
LCD_R_4	LCD_R_4
LCD_R_5	LCD_R_5
LCD_R_6	LCD_R_6
LCD_R_7	LCD_R_7
LCD_XVD	LCD_XVD
LCD_XVD	LCD_XVD
LCD_CLK	LCD_CLK

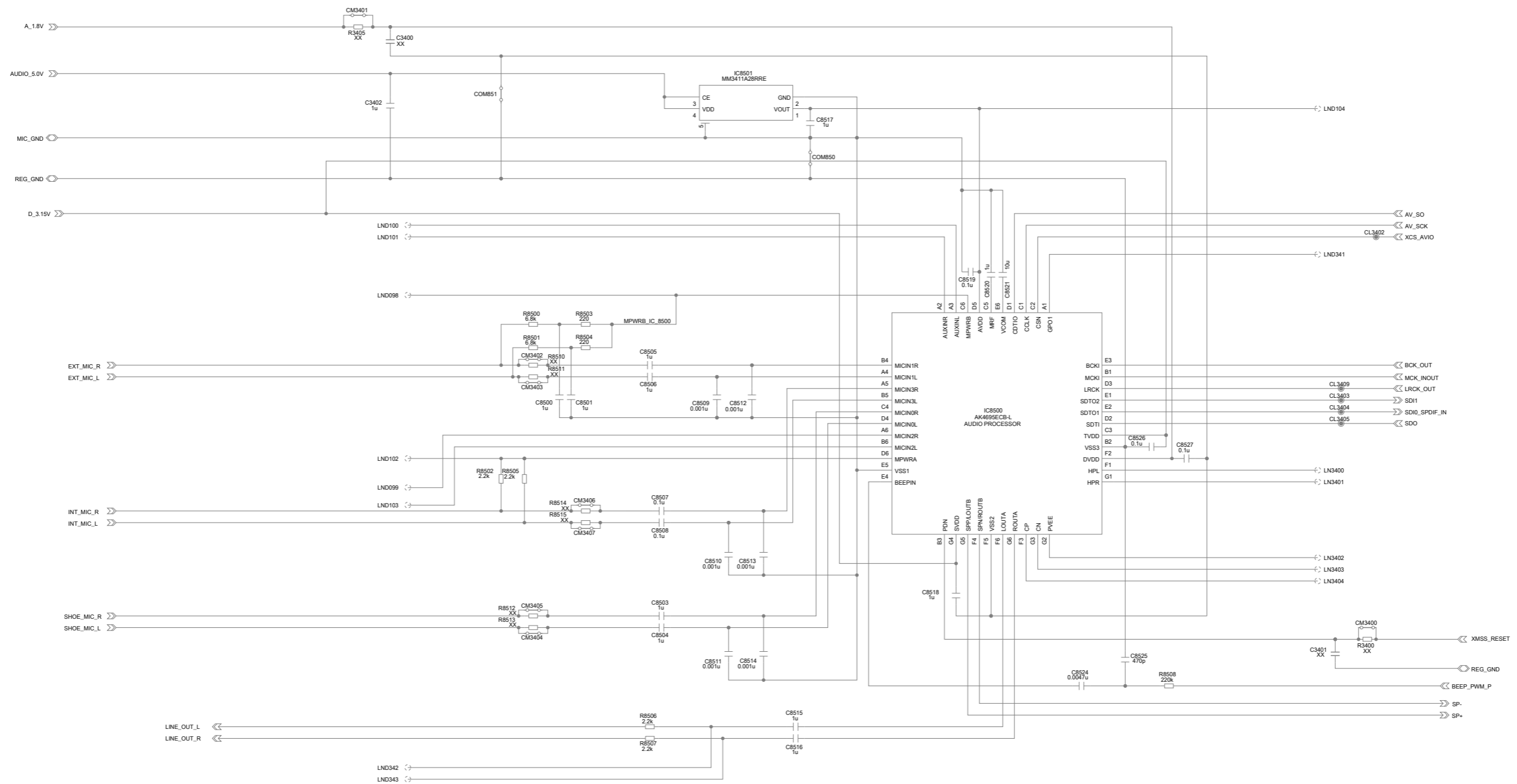
LCD_B_0	R3015	220	LCD_B_0	LCD_B_0
LCD_B_1	R3016	220	LCD_B_1	LCD_B_1
LCD_B_2	R3017	220	LCD_B_2	LCD_B_2
LCD_B_3	R3018	220	LCD_B_3	LCD_B_3
LCD_B_4	R3019	220	LCD_B_4	LCD_B_4
LCD_B_5	R3020	220	LCD_B_5	LCD_B_5
LCD_B_6	R3021	220	LCD_B_6	LCD_B_6
LCD_B_7	R3022	220	LCD_B_7	LCD_B_7
LCD_G_0	R3023	220	LCD_G_0	LCD_G_0
LCD_G_1	R3024	220	LCD_G_1	LCD_G_1
LCD_G_2	R3025	220	LCD_G_2	LCD_G_2
LCD_G_3	R3026	220	LCD_G_3	LCD_G_3
LCD_G_4	R3027	220	LCD_G_4	LCD_G_4
LCD_G_5	R3028	220	LCD_G_5	LCD_G_5
LCD_G_6	R3029	220	LCD_G_6	LCD_G_6
LCD_G_7	R3030	220	LCD_G_7	LCD_G_7
LCD_R_0	R3031	220	LCD_R_0	LCD_R_0
LCD_R_1	R3032	220	LCD_R_1	LCD_R_1
LCD_R_2	R3033	220	LCD_R_2	LCD_R_2
LCD_R_3	R3034	220	LCD_R_3	LCD_R_3
LCD_R_4	R3035	220	LCD_R_4	LCD_R_4
LCD_R_5	R3036	220	LCD_R_5	LCD_R_5
LCD_R_6	R3037	220	LCD_R_6	LCD_R_6
LCD_R_7	R3038	220	LCD_R_7	LCD_R_7
LCD_XVD	R3039	220	LCD_XVD	LCD_XVD
LCD_XVD	R3040	220	LCD_XVD	LCD_XVD
LCD_CLK	R3041	220	LCD_CLK	LCD_CLK

LCD_B_0	R3042	220	EVF_B_0	EVF_B_0
LCD_B_1	R3043	220	EVF_B_1	EVF_B_1
LCD_B_2	R3044	220	EVF_B_2	EVF_B_2
LCD_B_3	R3045	220	EVF_B_3	EVF_B_3
LCD_B_4	R3046	220	EVF_B_4	EVF_B_4
LCD_B_5	R3047	220	EVF_B_5	EVF_B_5
LCD_B_6	R3048	220	EVF_B_6	EVF_B_6
LCD_B_7	R3049	220	EVF_B_7	EVF_B_7
LCD_G_0	R3050	220	EVF_G_0	EVF_G_0
LCD_G_1	R3051	220	EVF_G_1	EVF_G_1
LCD_G_2	R3052	220	EVF_G_2	EVF_G_2
LCD_G_3	R3053	220	EVF_G_3	EVF_G_3
LCD_G_4	R3054	220	EVF_G_4	EVF_G_4
LCD_G_5	R3055	220	EVF_G_5	EVF_G_5
LCD_G_6	R3056	220	EVF_G_6	EVF_G_6
LCD_G_7	R3057	220	EVF_G_7	EVF_G_7
LCD_R_0	R3058	220	EVF_R_0	EVF_R_0
LCD_R_1	R3059	220	EVF_R_1	EVF_R_1
LCD_R_2	R3060	220	EVF_R_2	EVF_R_2
LCD_R_3	R3061	220	EVF_R_3	EVF_R_3
LCD_R_4	R3062	220	EVF_R_4	EVF_R_4
LCD_R_5	R3063	220	EVF_R_5	EVF_R_5
LCD_R_6	R3064	220	EVF_R_6	EVF_R_6
LCD_R_7	R3065	220	EVF_R_7	EVF_R_7
LCD_CLK	R3066	220	EVF_D_CLK	EVF_D_CLK
LCD_XVD	R3067	220	EVF_D_XVD	EVF_D_XVD
LCD_XVD	R3068	220	EVF_D_XVD	EVF_D_XVD



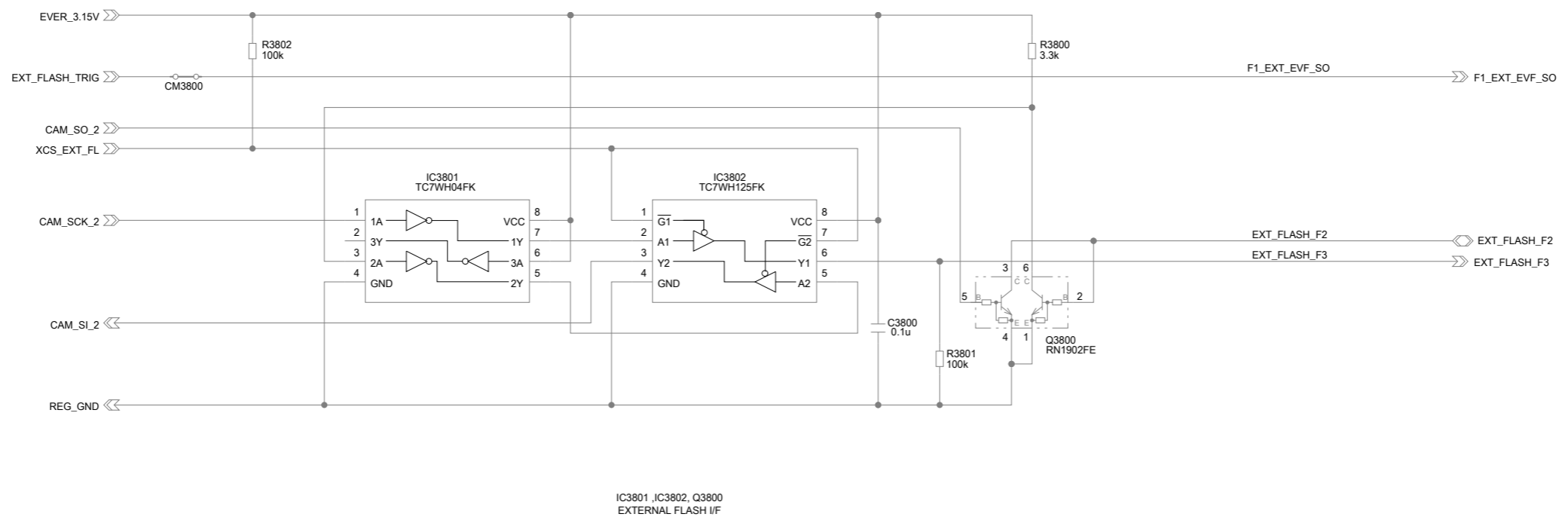
SY-1066 BOARD (19/31)

XX MARK: NO MOUNT



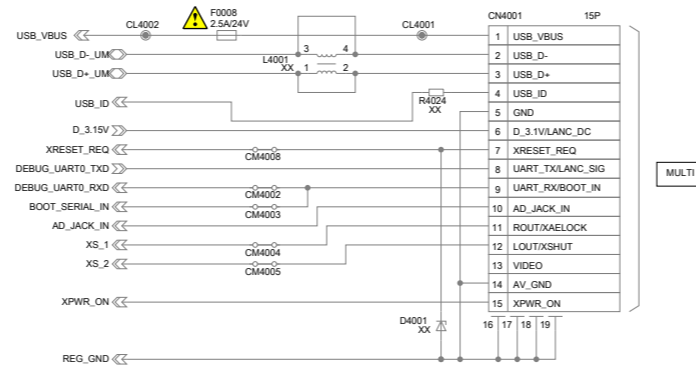
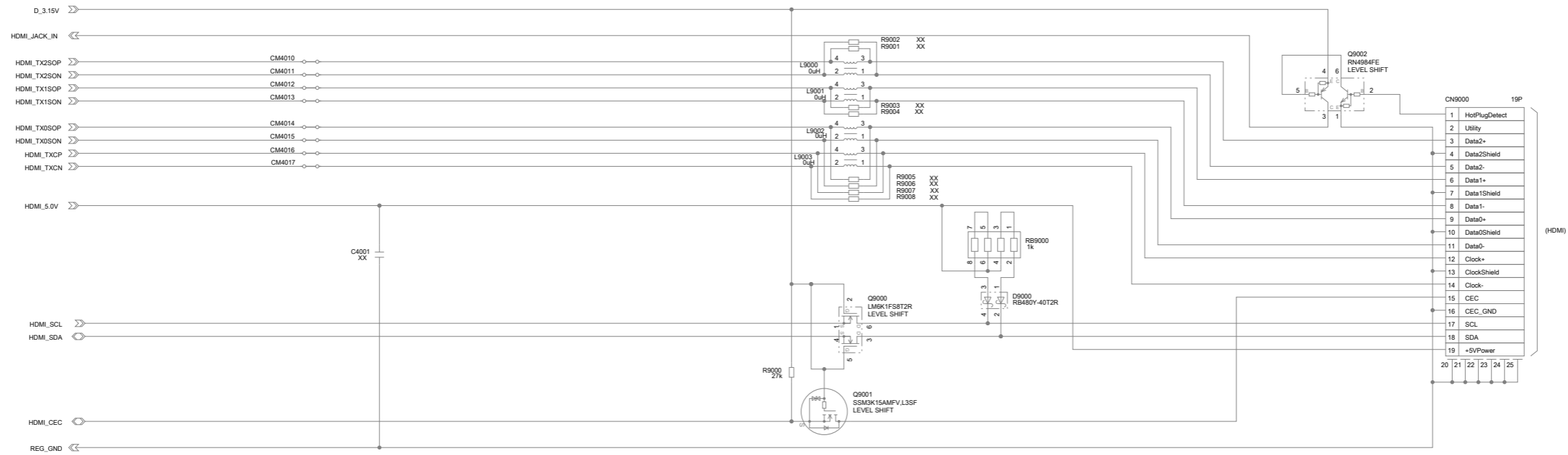
SY-1066 BOARD (20/31)

XX MARK: NO MOUNT



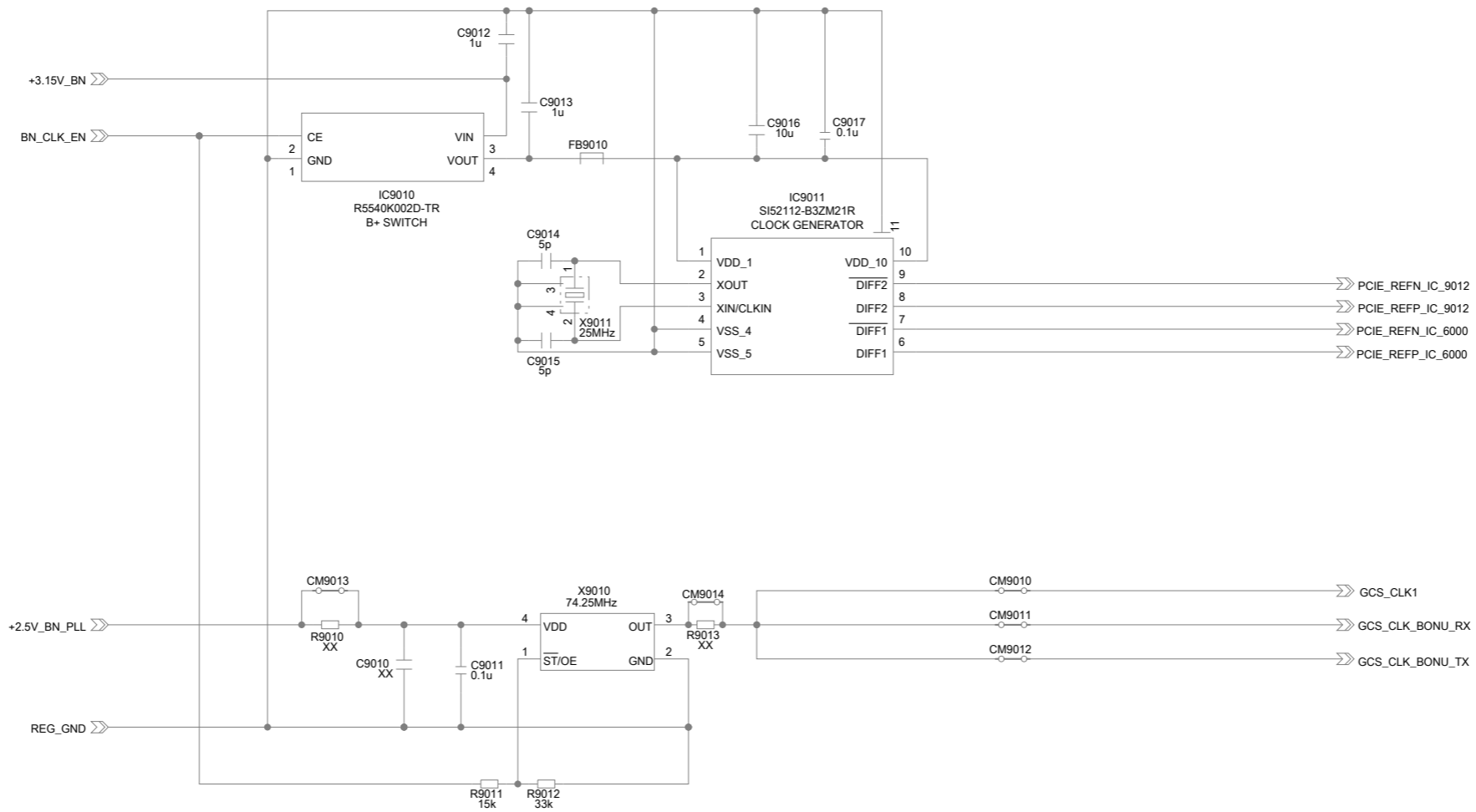
SY-1066 BOARD (21/31)

XX MARK: NO MOUNT



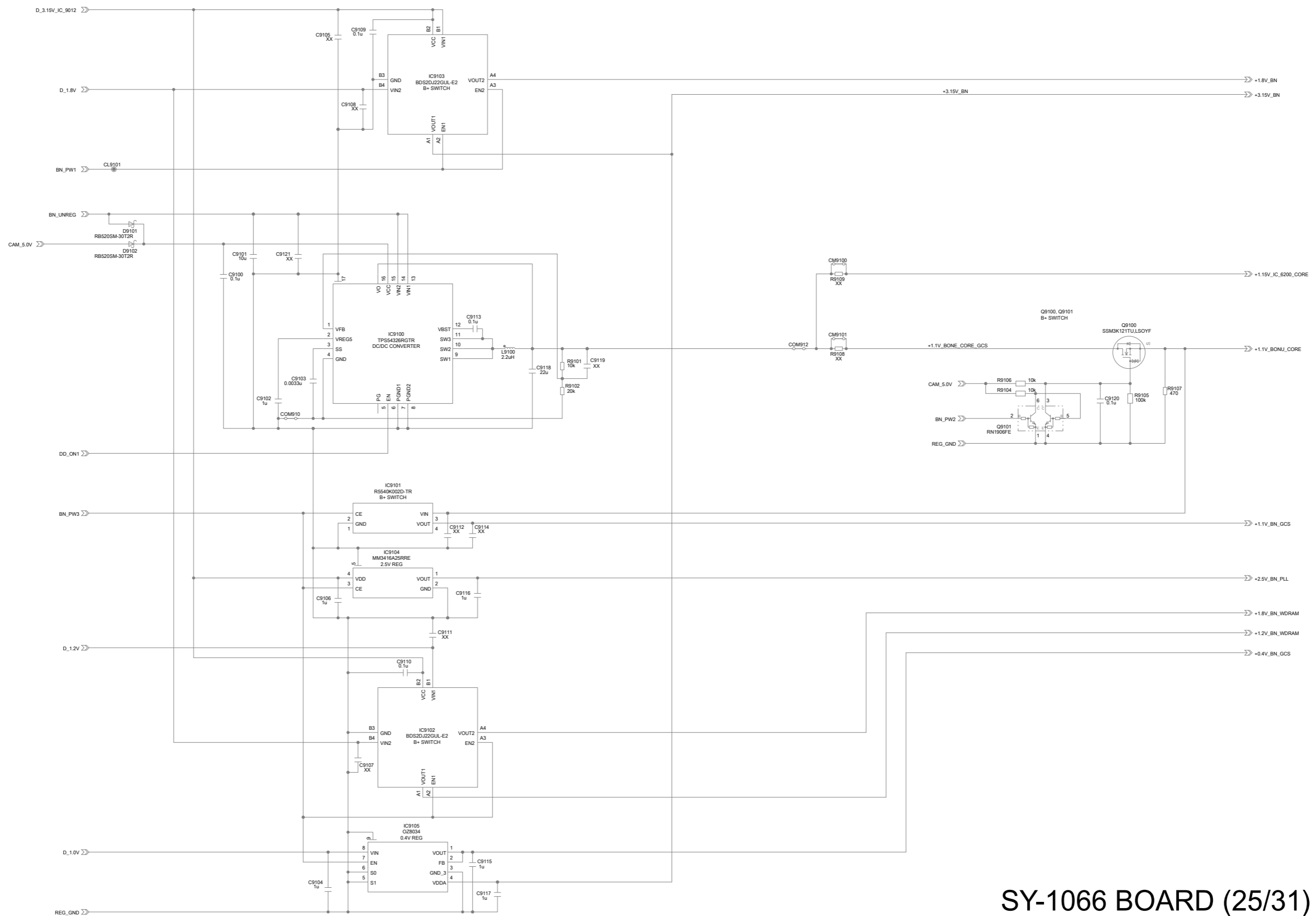
SY-1066 BOARD (22/31)

XX MARK: NO MOUNT

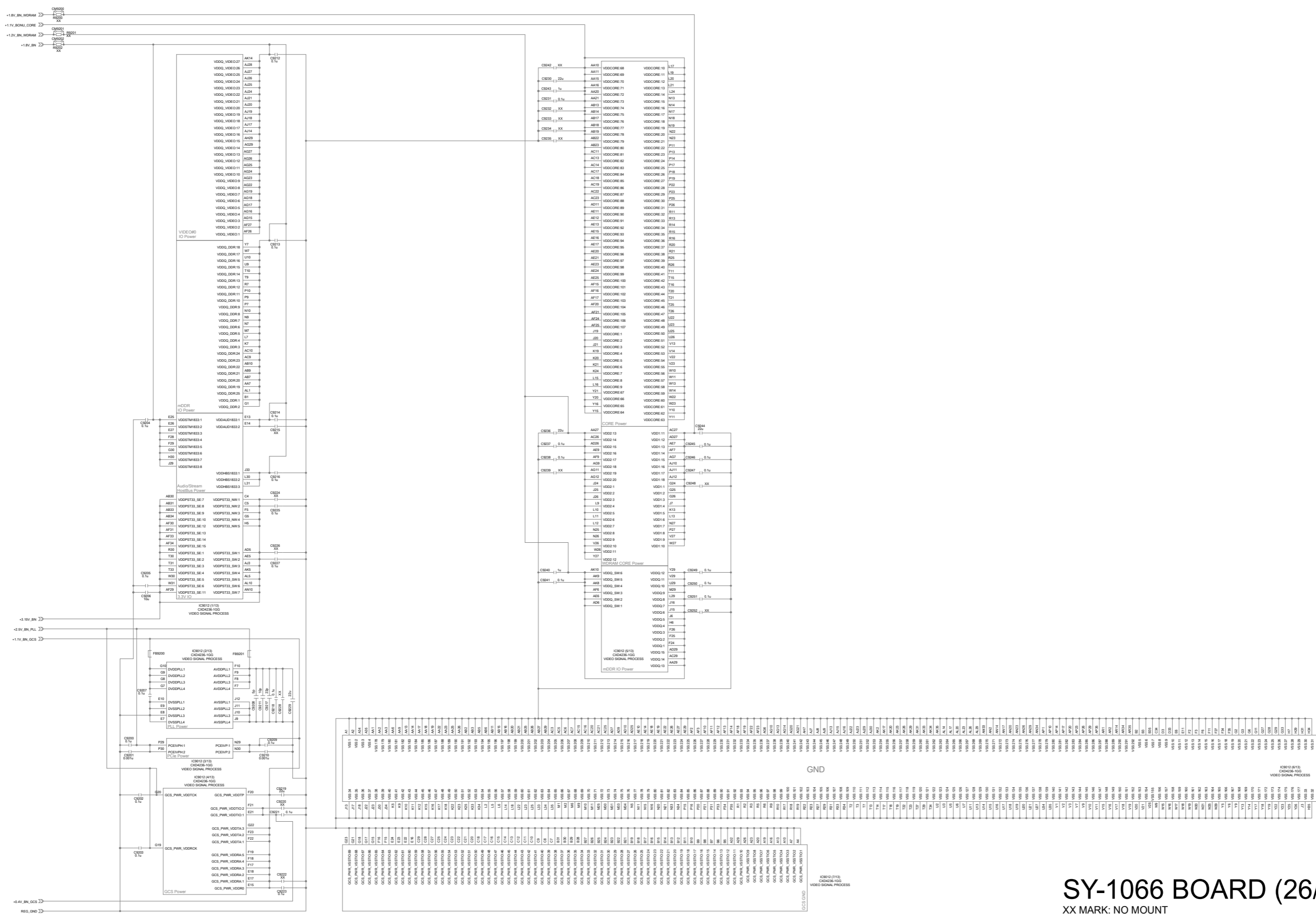


SY-1066 BOARD (24/31)

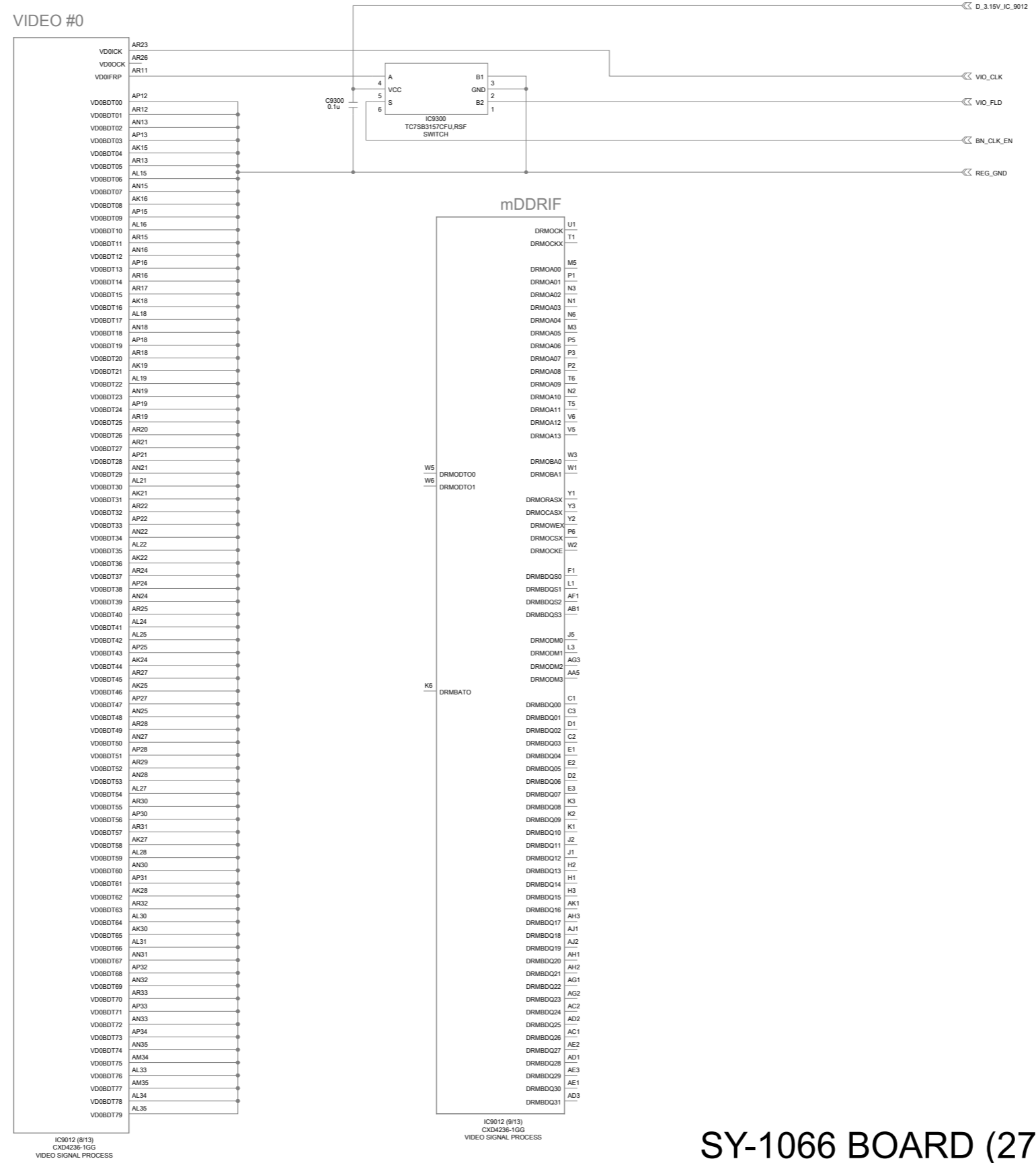
XX MARK: NO MOUNT



SY-1066 BOARD (25/31)
XX MARK: NO MOUNT

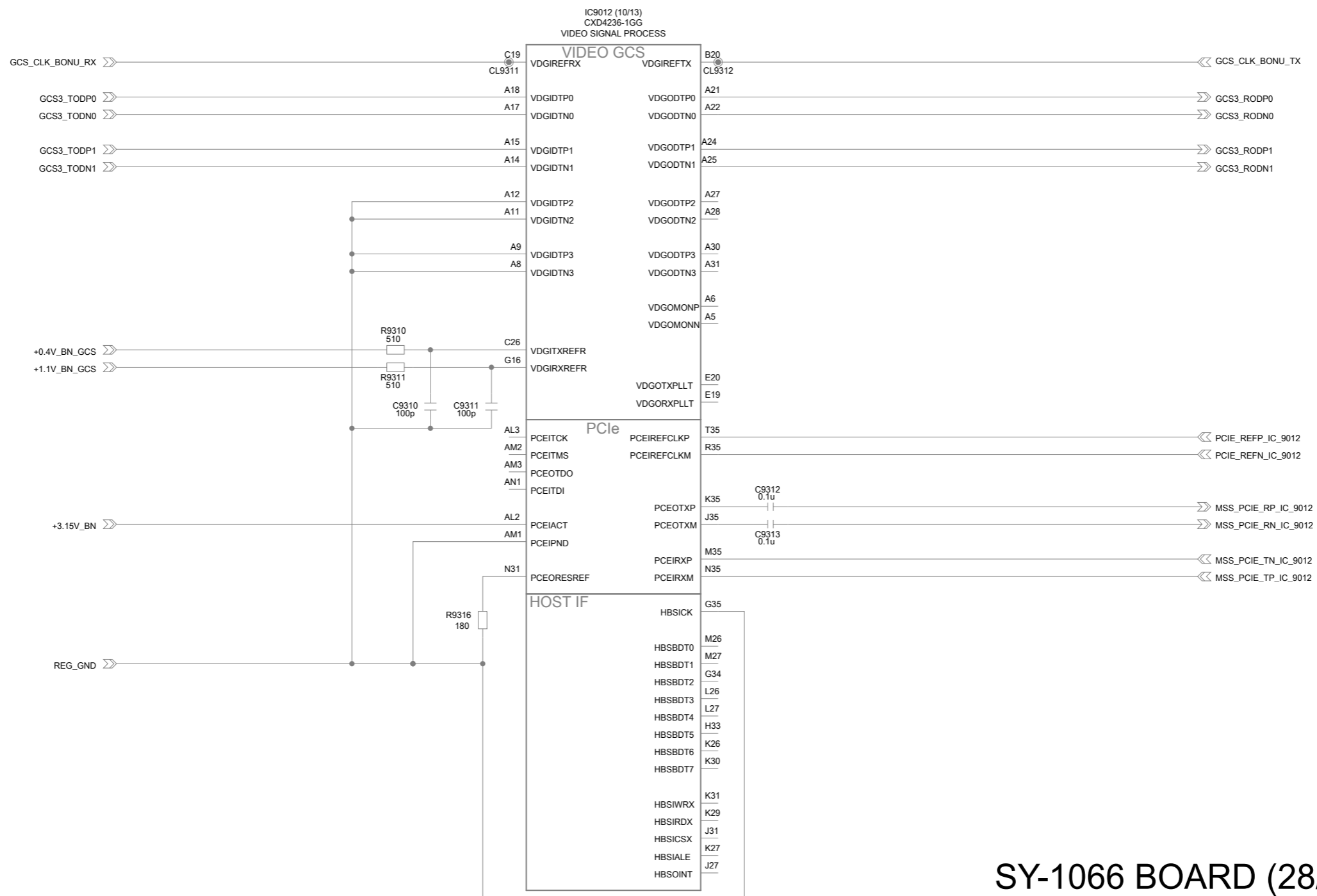


SY-1066 BOARD (26/31)
XX MARK: NO MOUNT

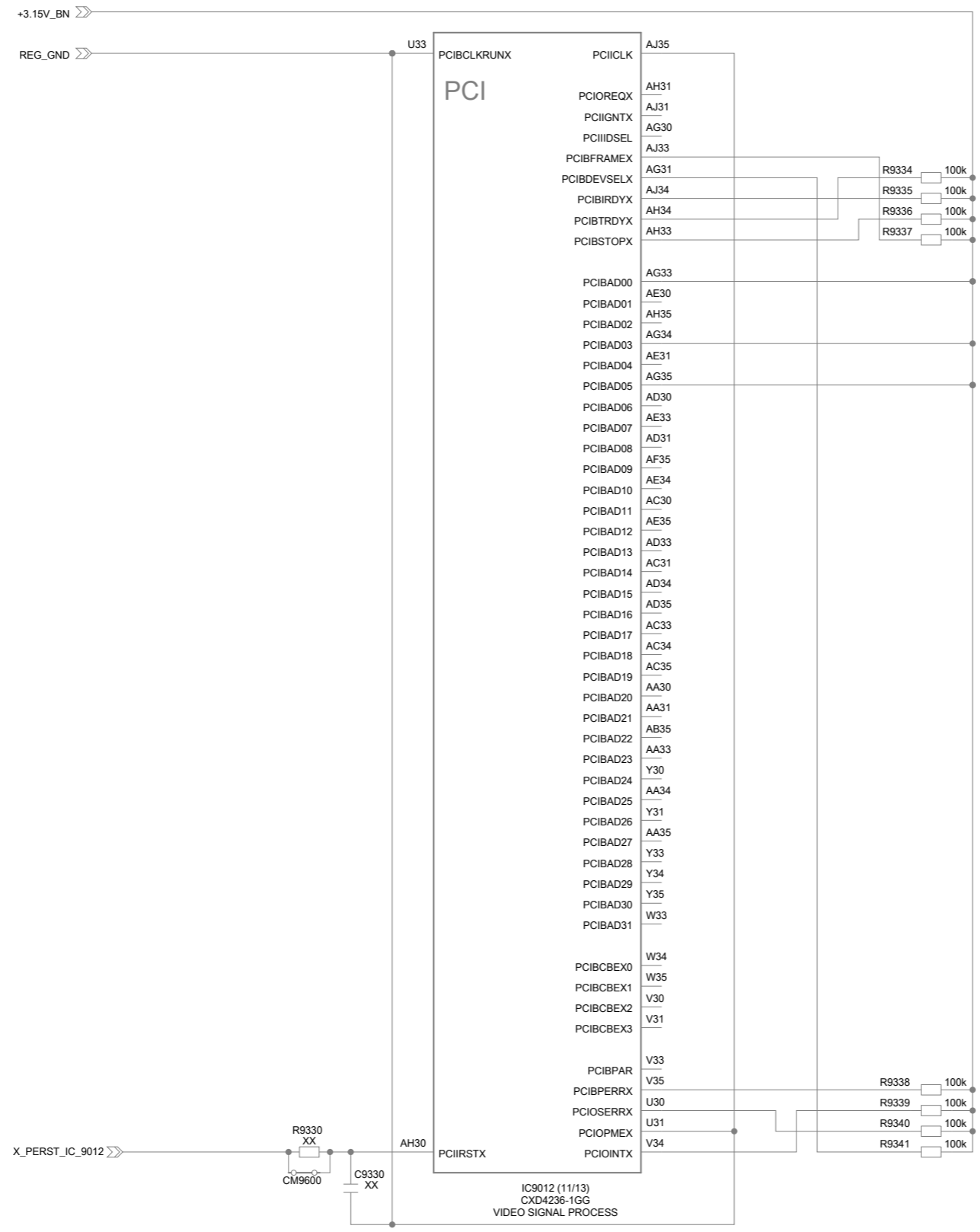


SY-1066 BOARD (27/31)

XX MARK: NO MOUNT

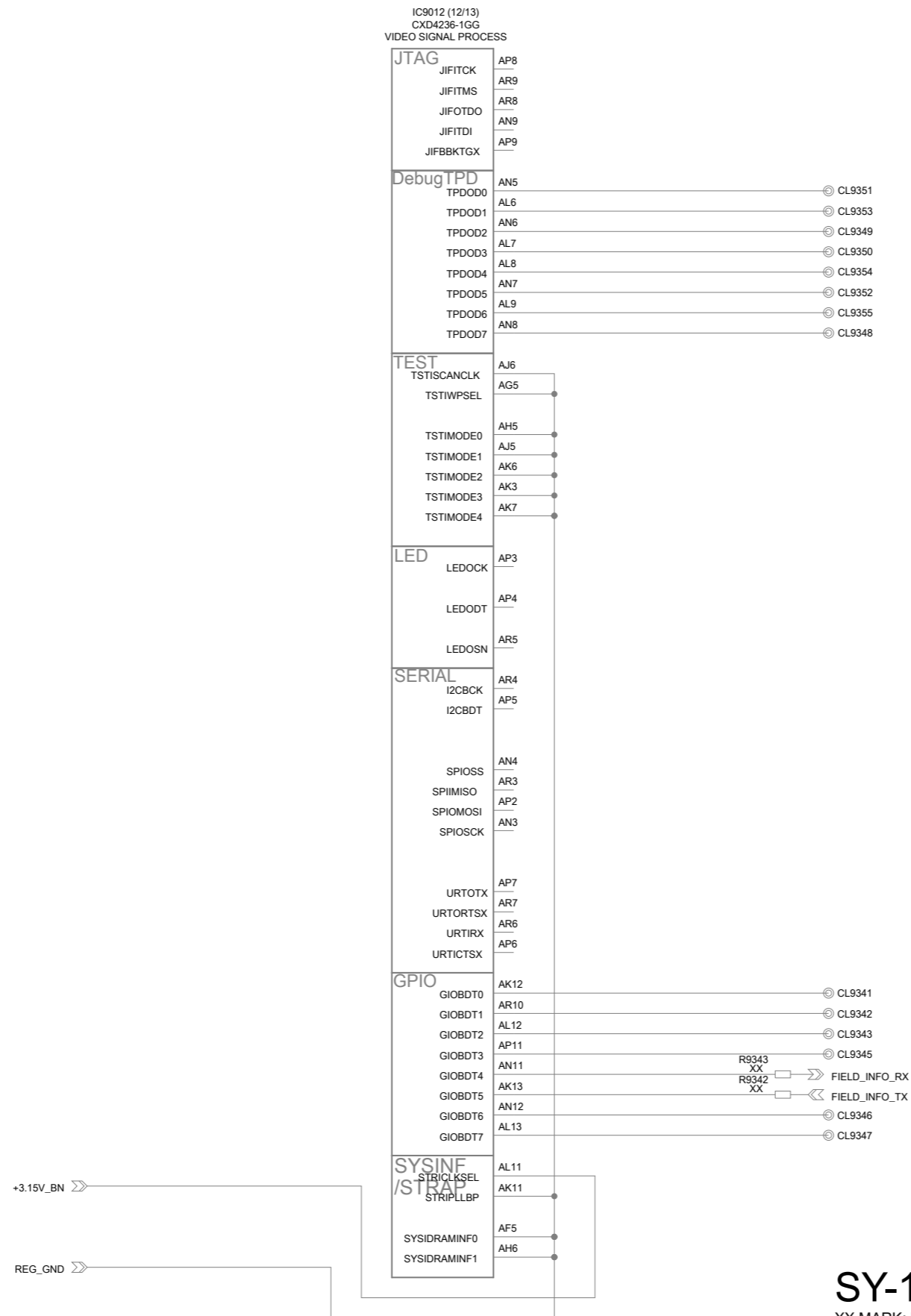


SY-1066 BOARD (28/31)
XX MARK: NO MOUNT



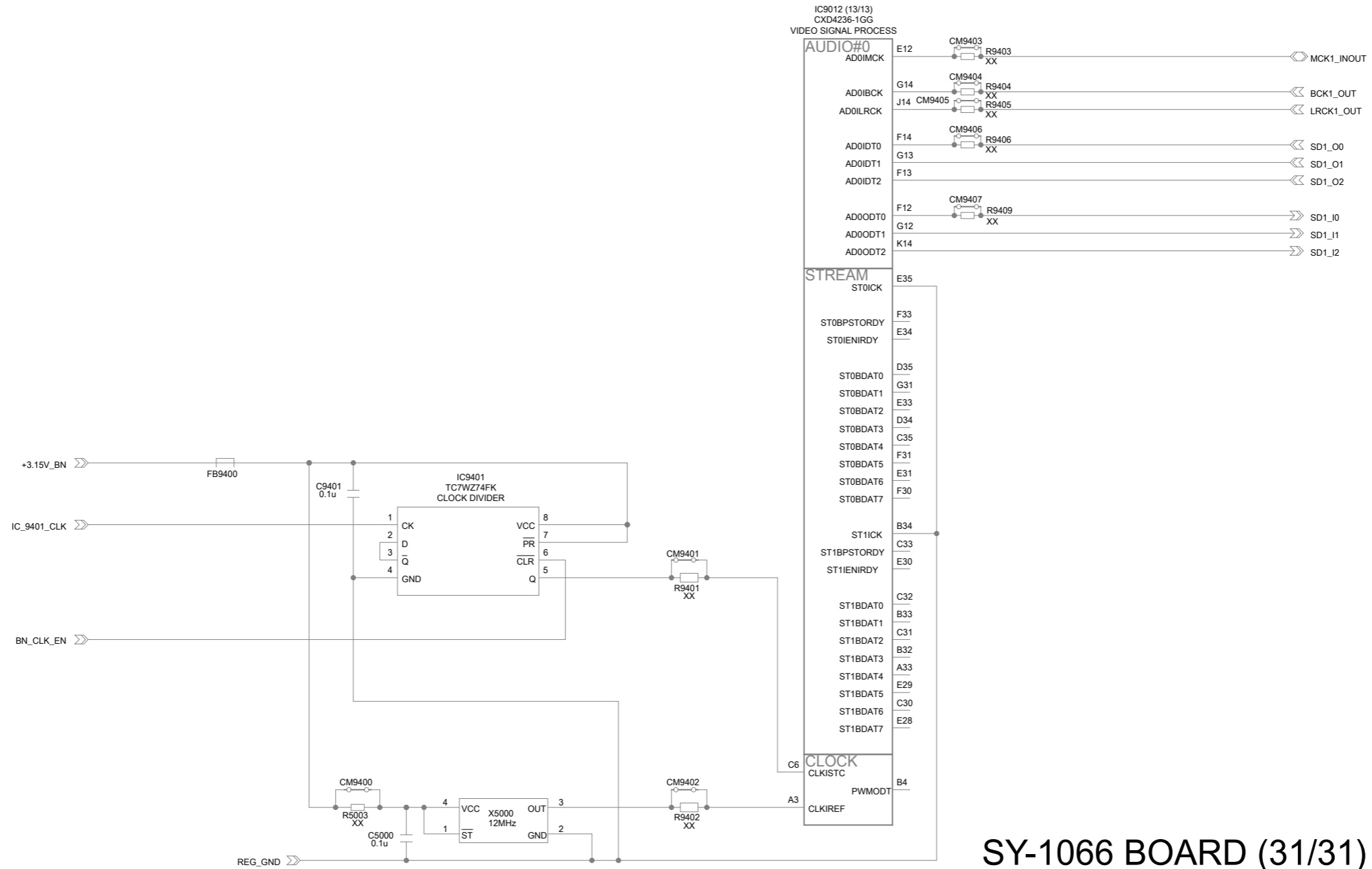
SY-1066 BOARD (29/31)

XX MARK: NO MOUNT



SY-1066 BOARD (30/31)

XX MARK: NO MOUNT



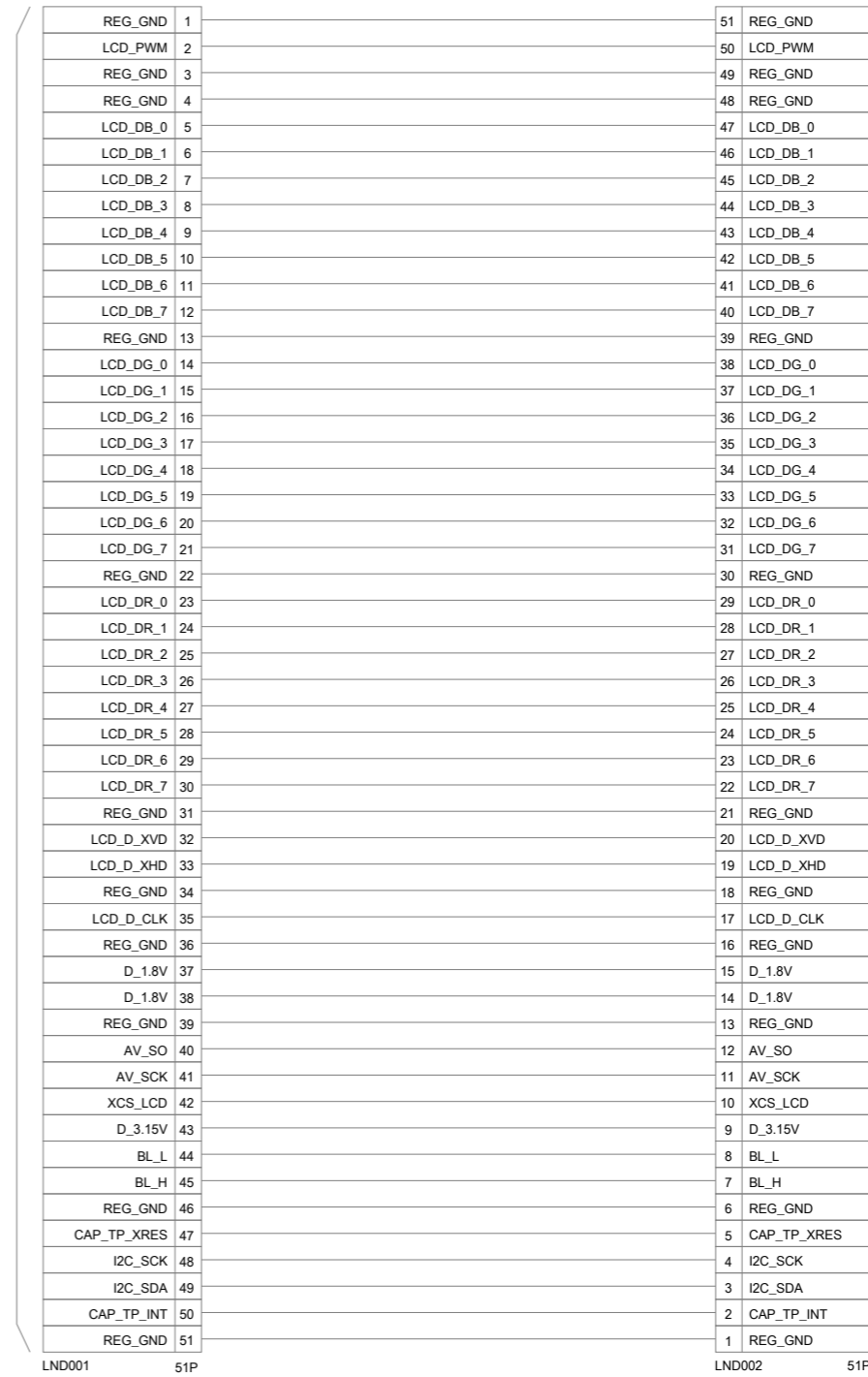
SY-1066 BOARD (31/31)
XX MARK: NO MOUNT



HP-1011 FLEXIBLE BOARD

SY-1066
(23/31)
CN4910

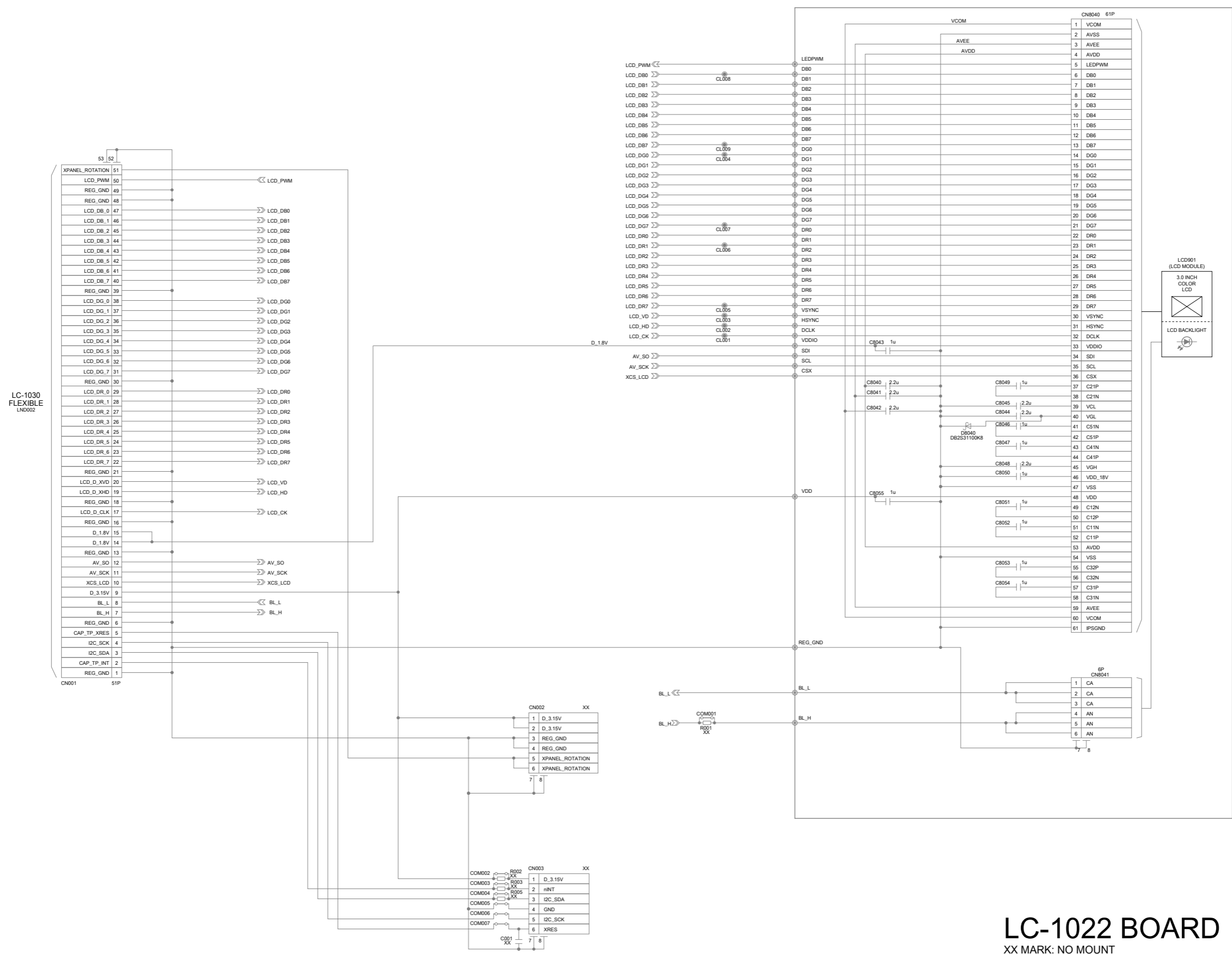
SY-1066
(19/31)
CN3000



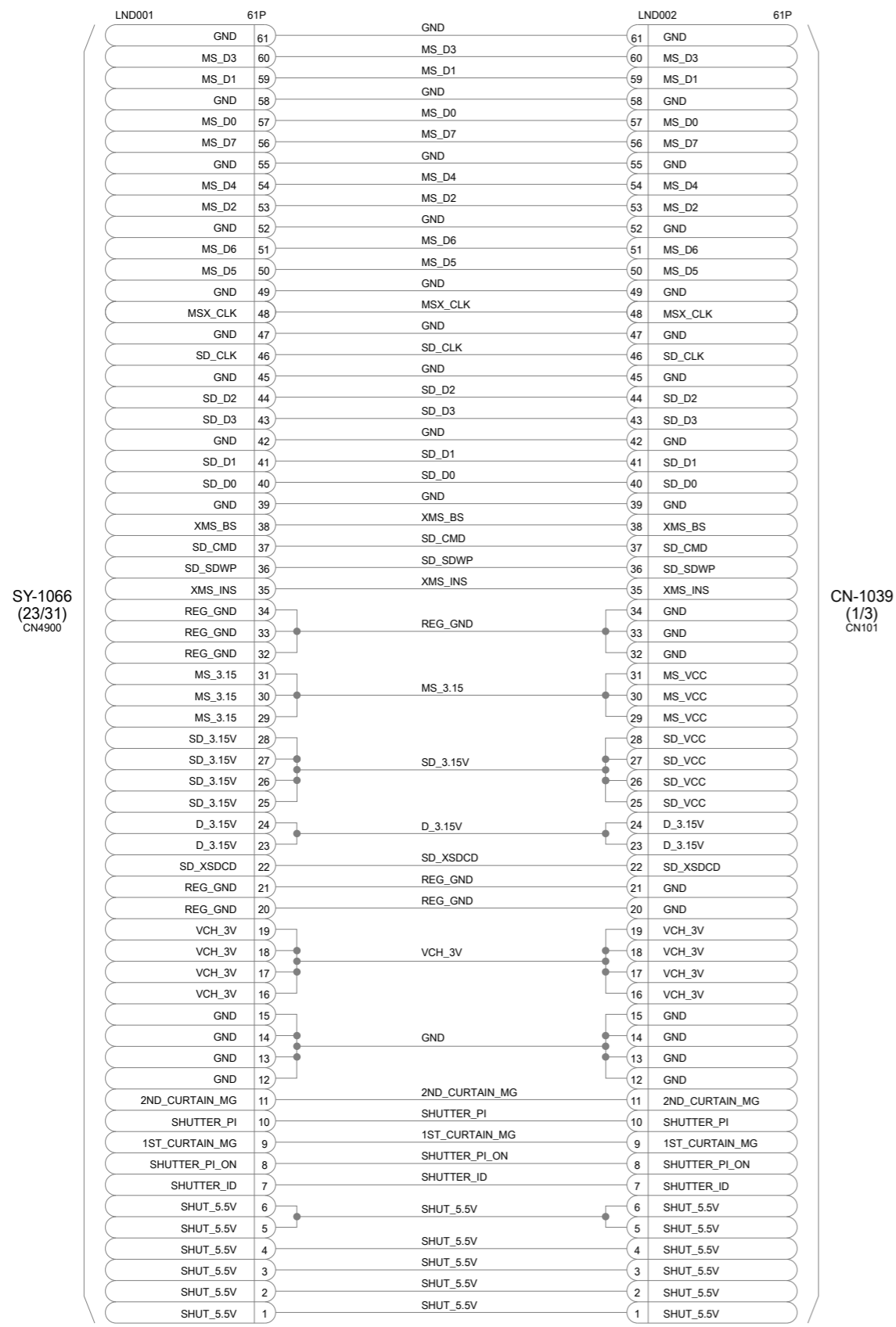
LC-1022
CN001

LC-1030 FLEXIBLE BOARD

(PRINTED WIRING BOARD is omitted.)



LC-1022 BOARD
XX MARK: NO MOUNT

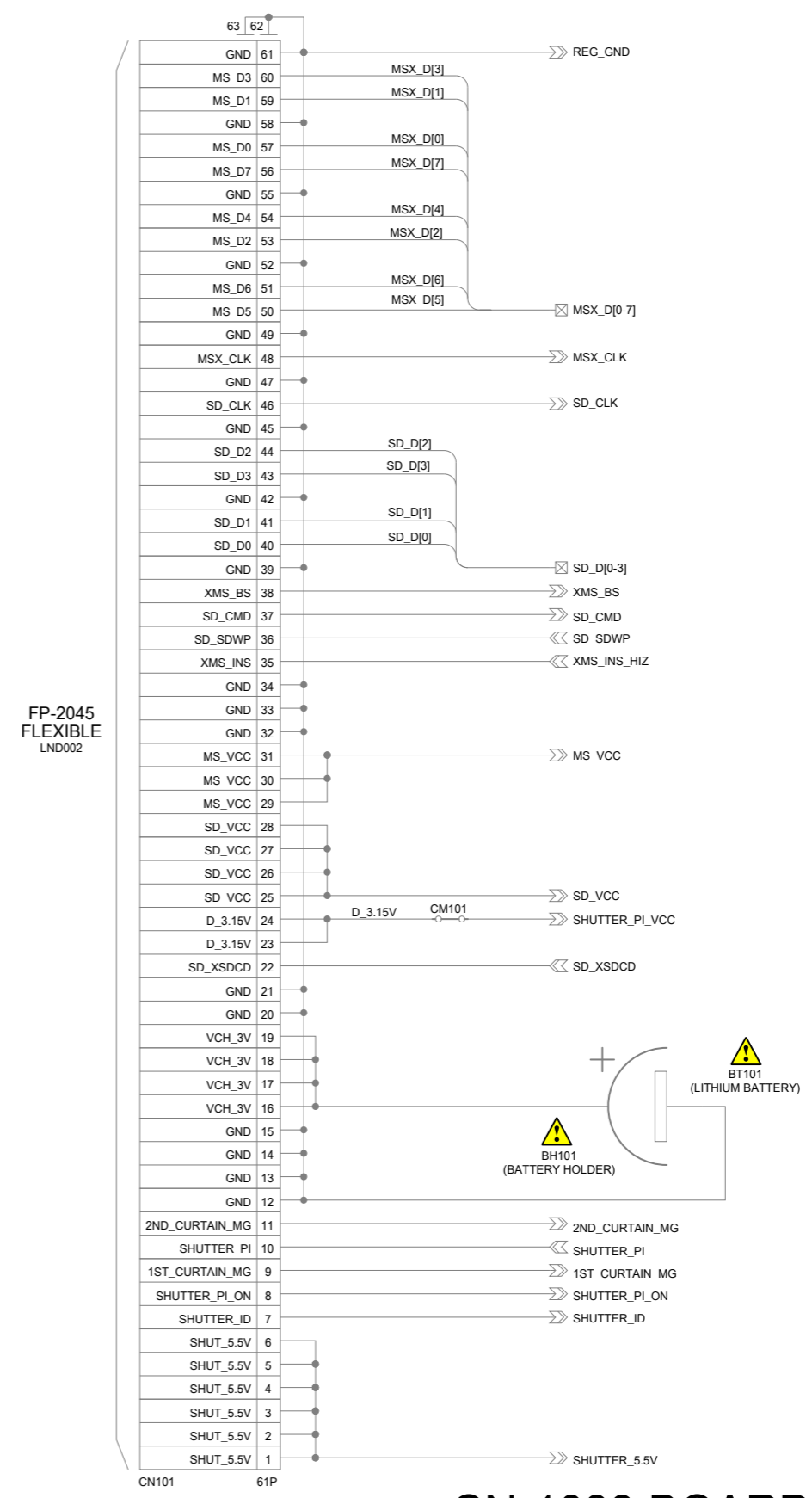


SY-1066
(23/31)
CN4900

CN-1039
(1/3)
CN101

FP-2045 FLEXIBLE BOARD

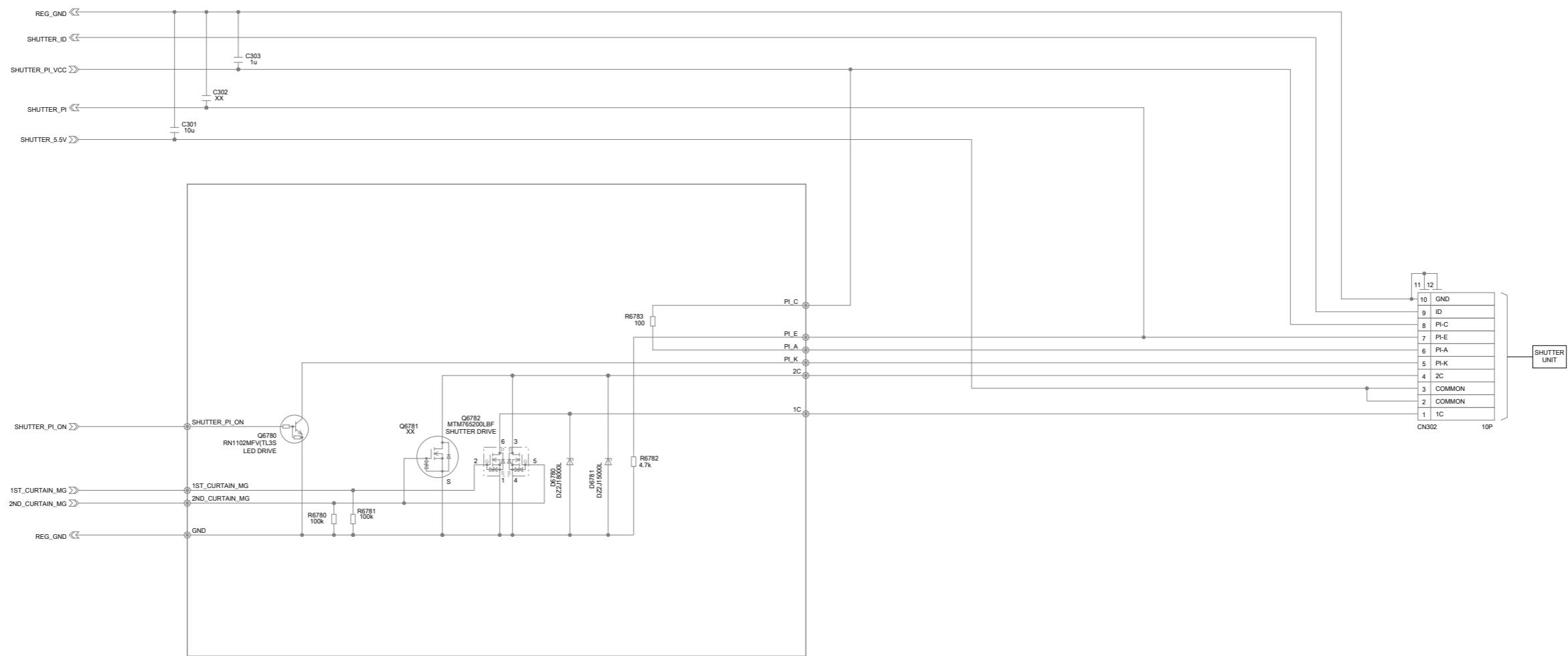
(PRINTED WIRING BOARD is omitted.)



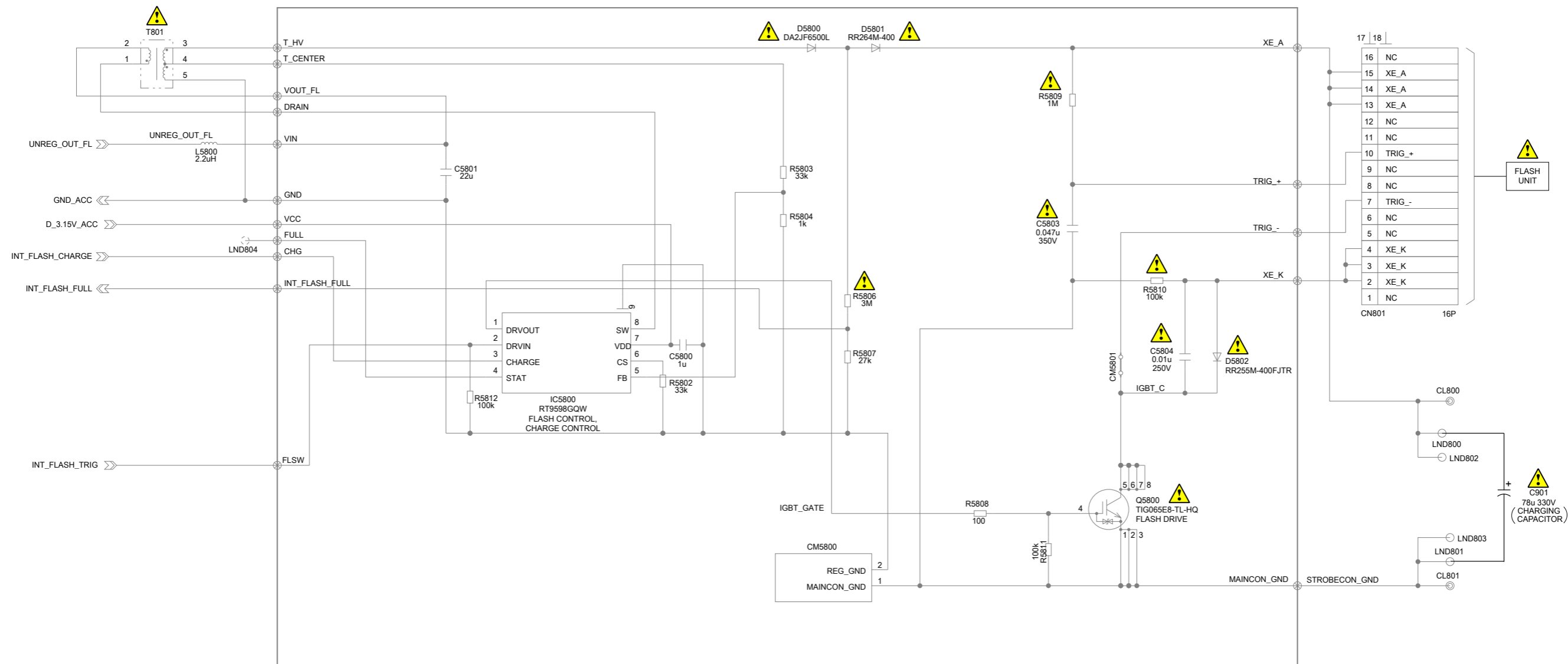
FP-2045
FLEXIBLE
LND002

CN-1039 BOARD (1/3)

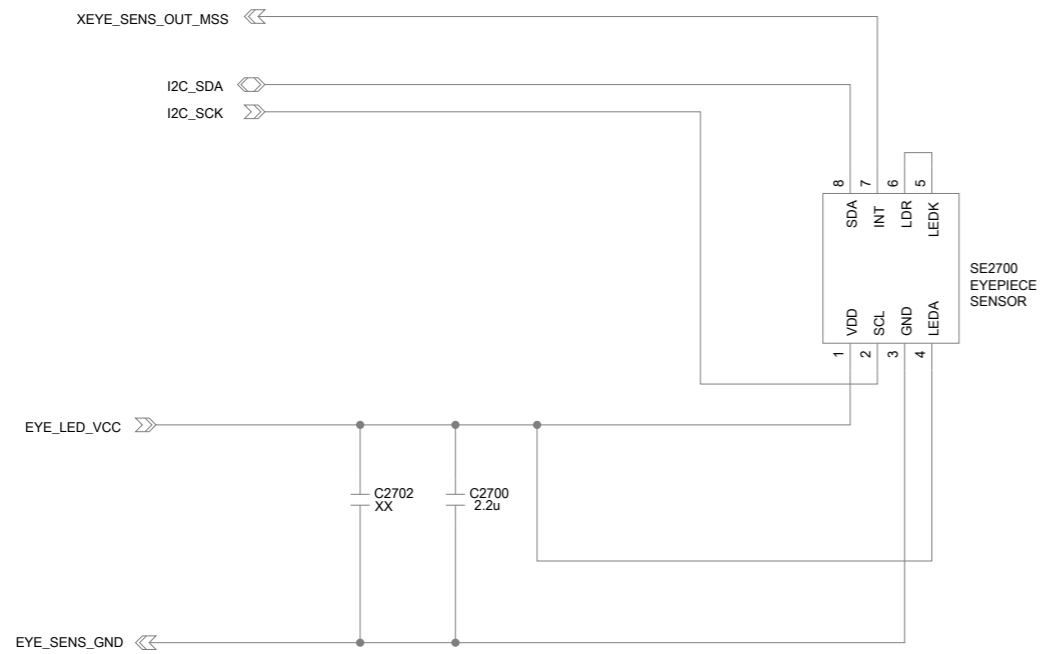
XX MARK: NO MOUNT



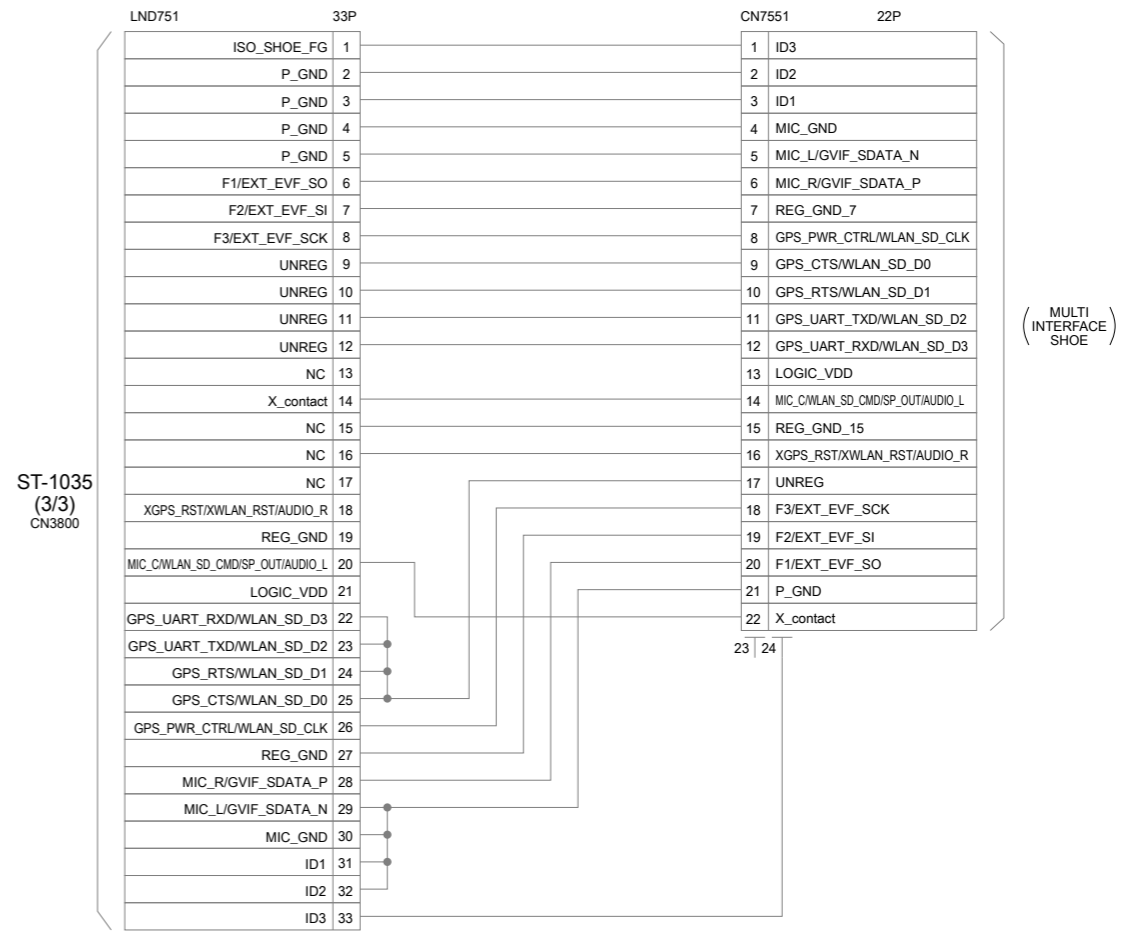
CN-1039 BOARD (3/3)
XX MARK: NO MOUNT



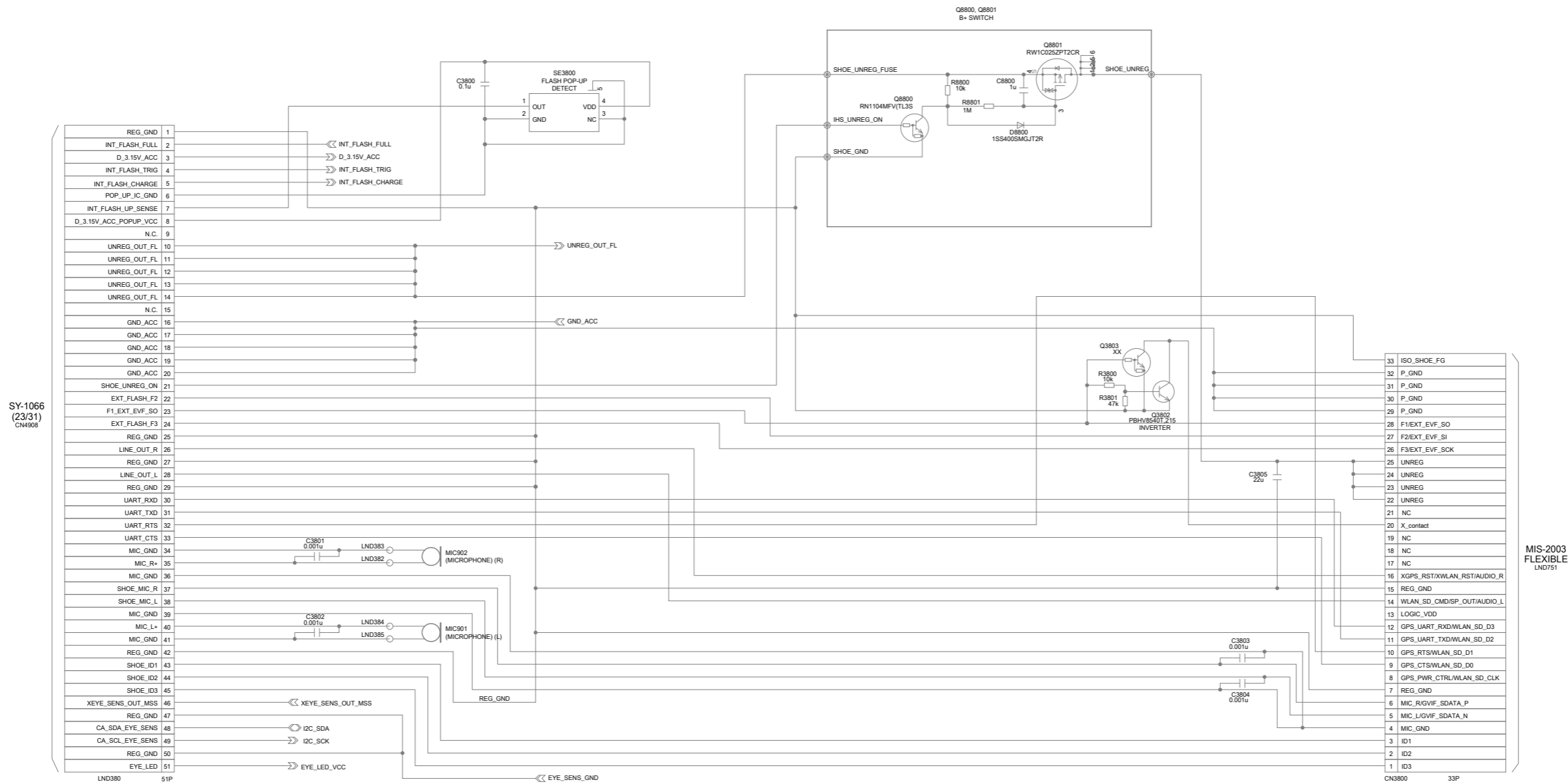
ST-1035 FLEXIBLE BOARD (1/3)
XX MARK: NO MOUNT



ST-1035 FLEXIBLE BOARD (2/3)
XX MARK: NO MOUNT

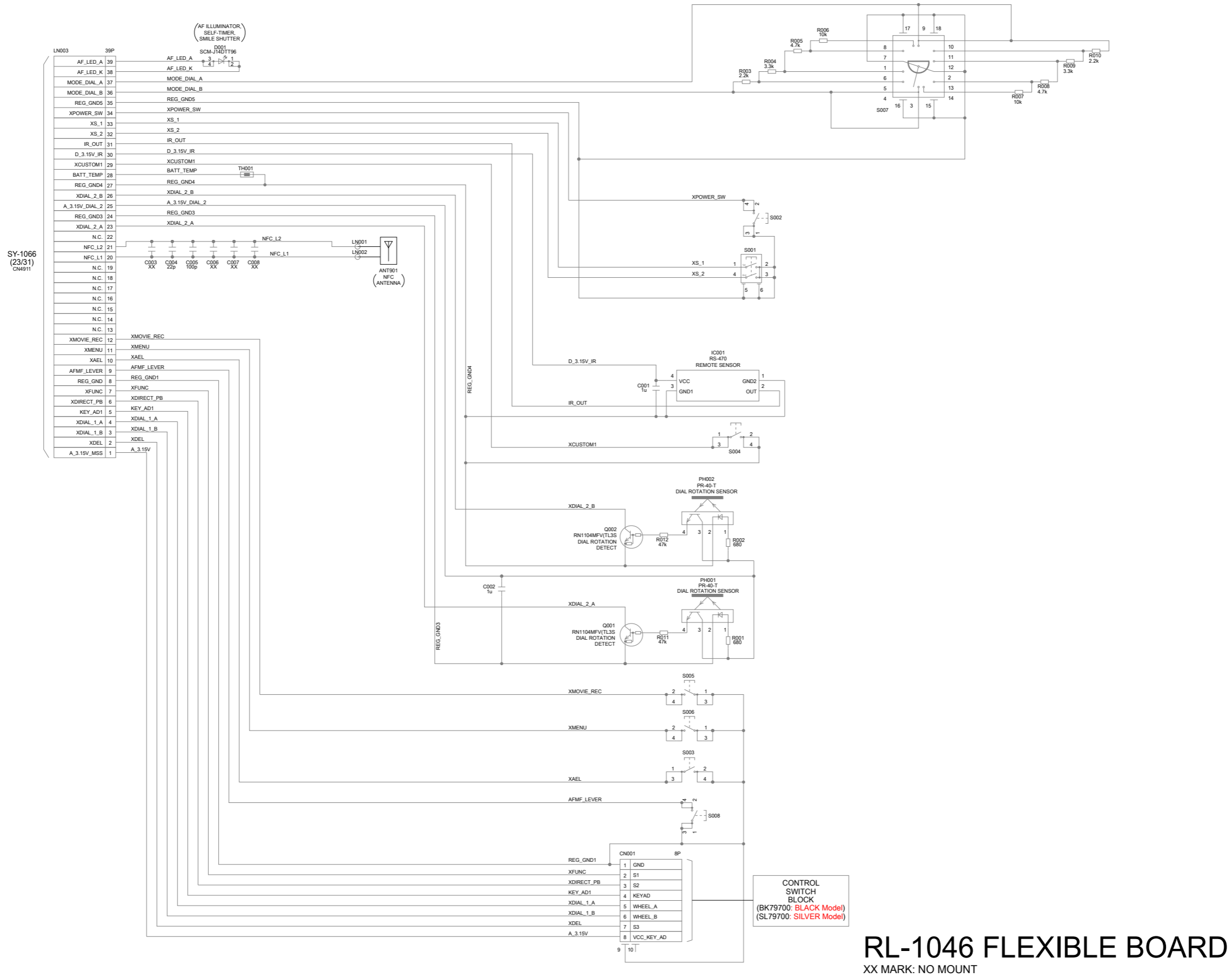


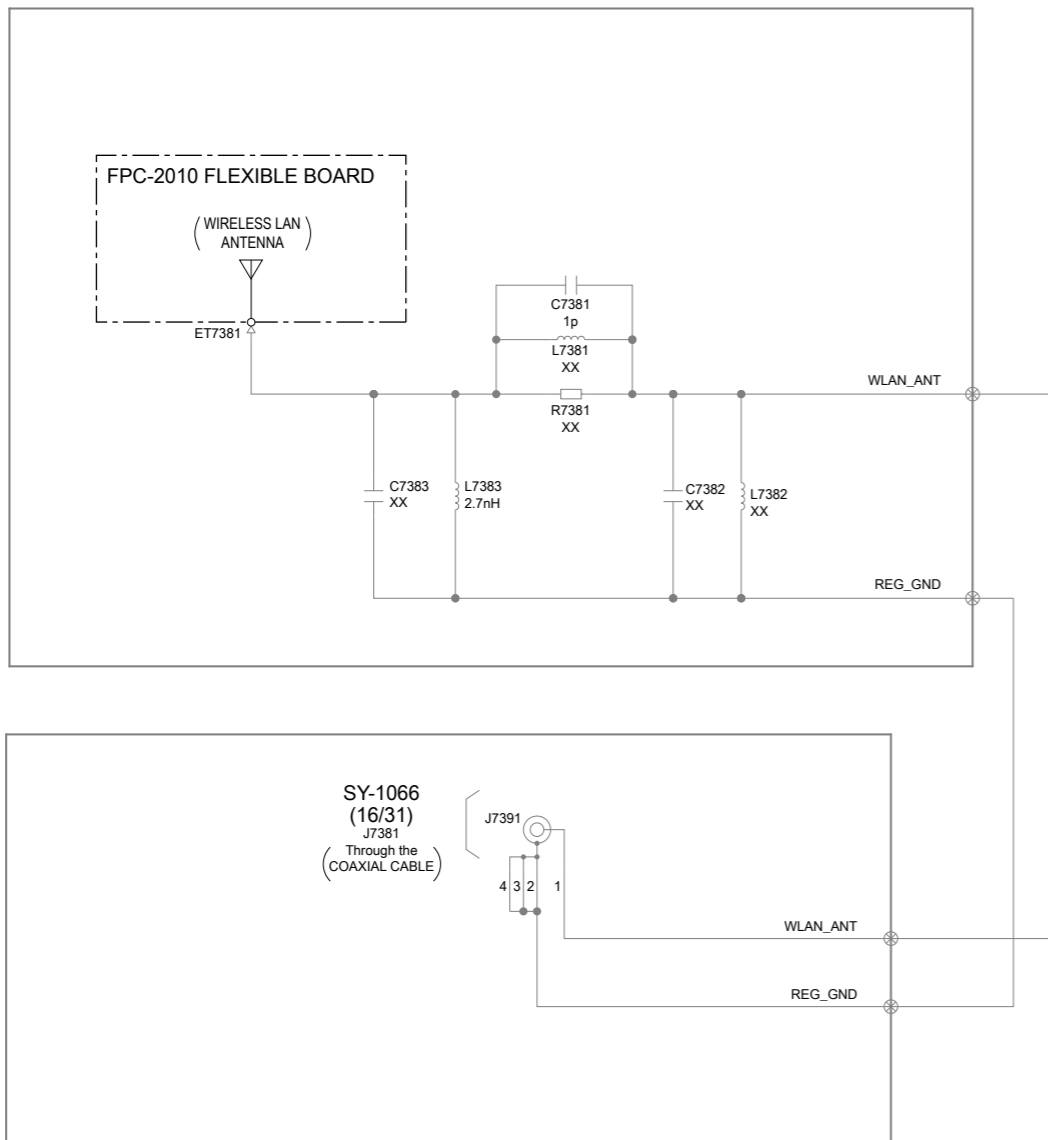
MIS-2003 FLEXIBLE BOARD



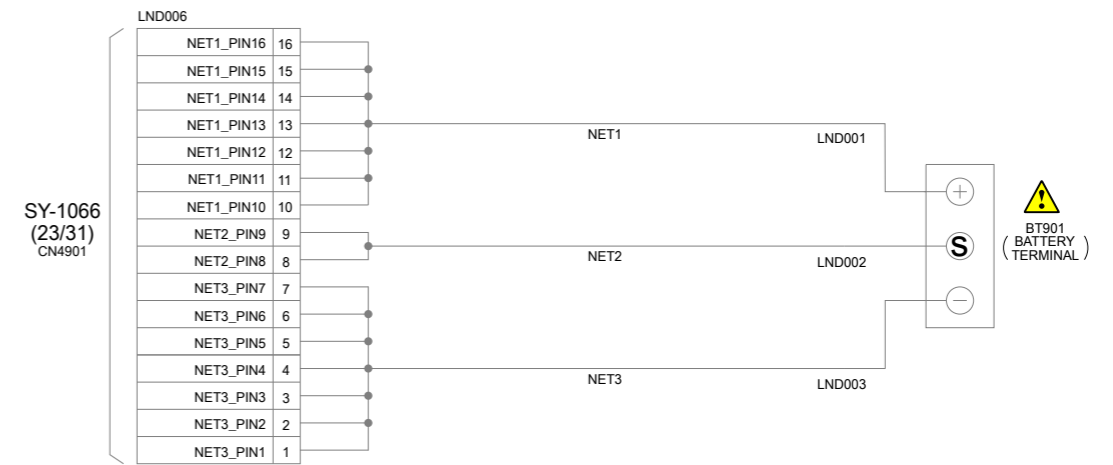
ST-1035 FLEXIBLE BOARD (3/3)

XX MARK: NO MOUNT





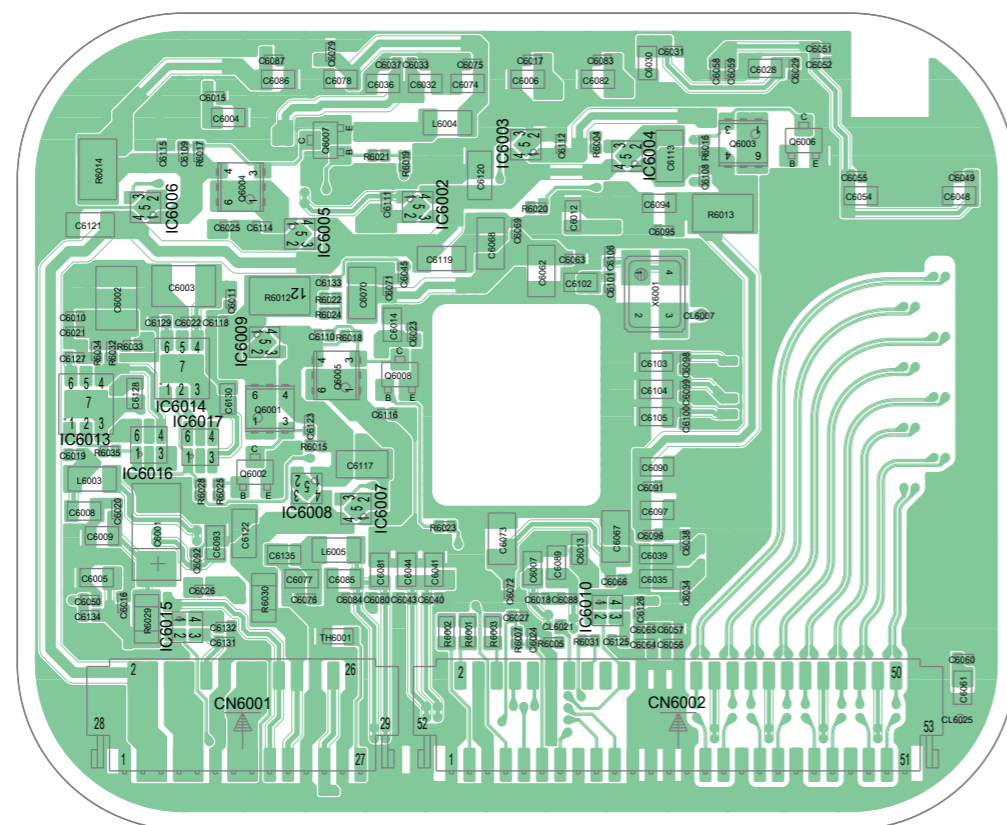
AN-1020 BOARD
XX MARK: NO MOUNT



BT-2011 FLEXIBLE BOARD
XX MARK: NO MOUNT

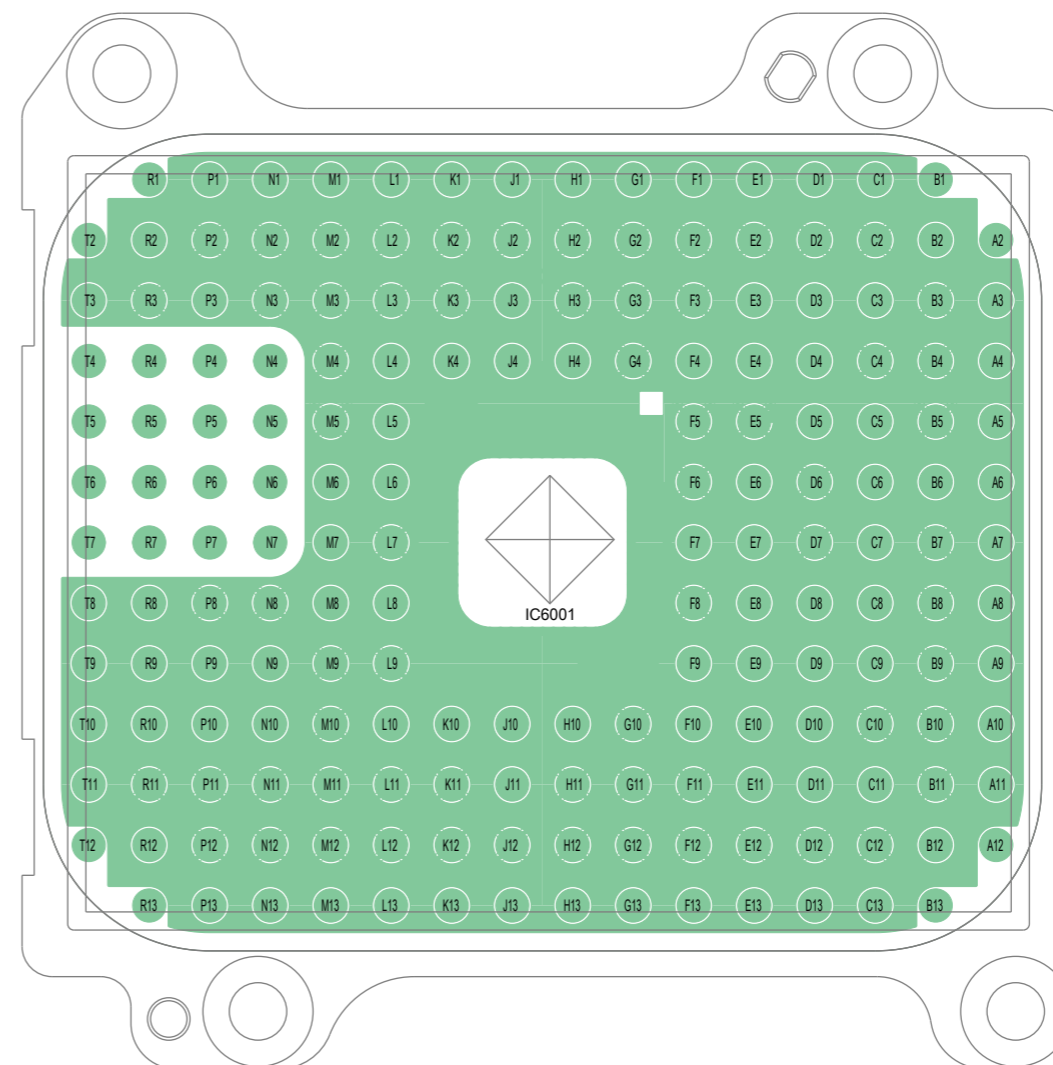
6-2. PRINTED WIRING BOARDS

IS-1027 BOARD (SIDE A)



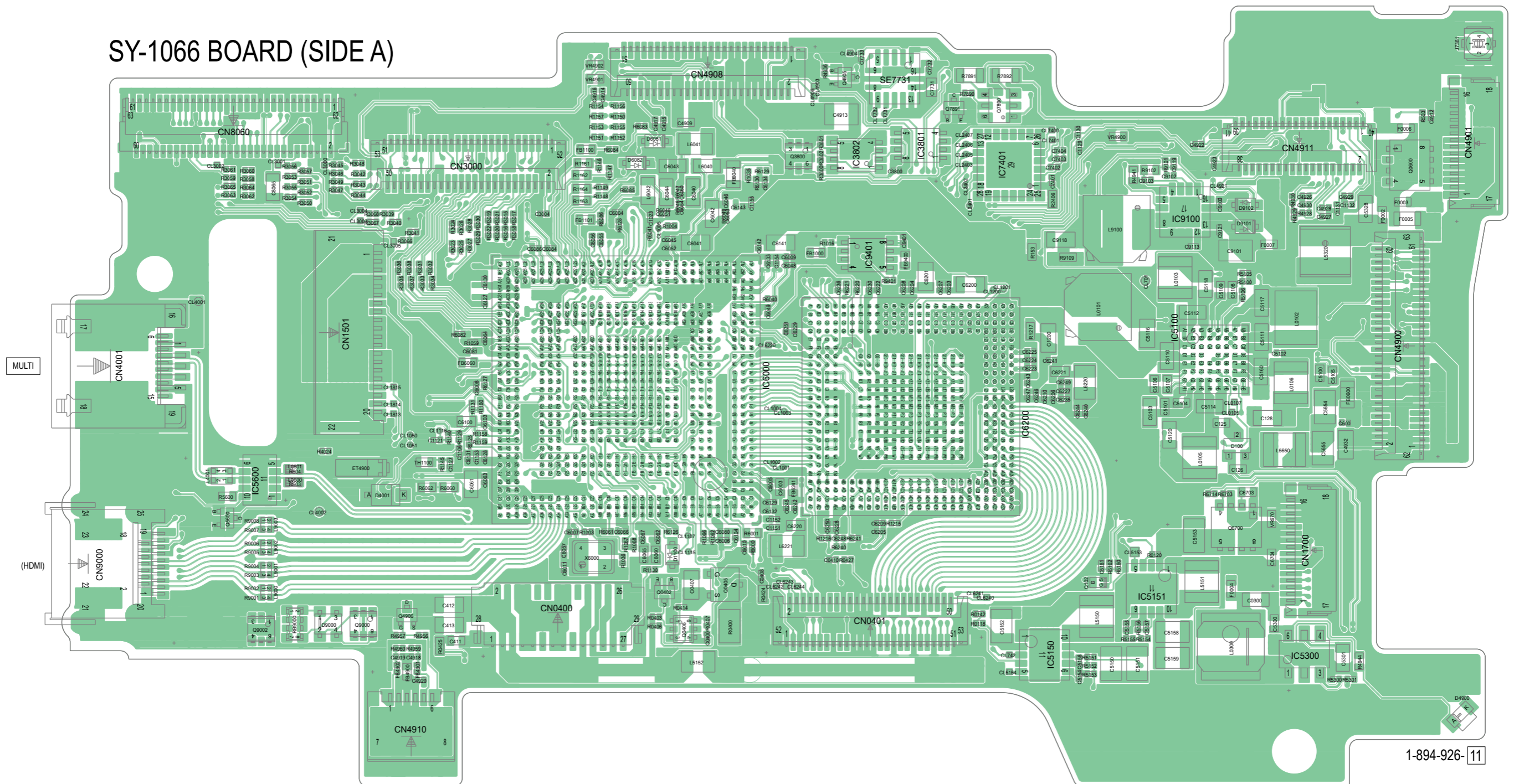
1-894-762-11

IS-1027 BOARD (SIDE B)



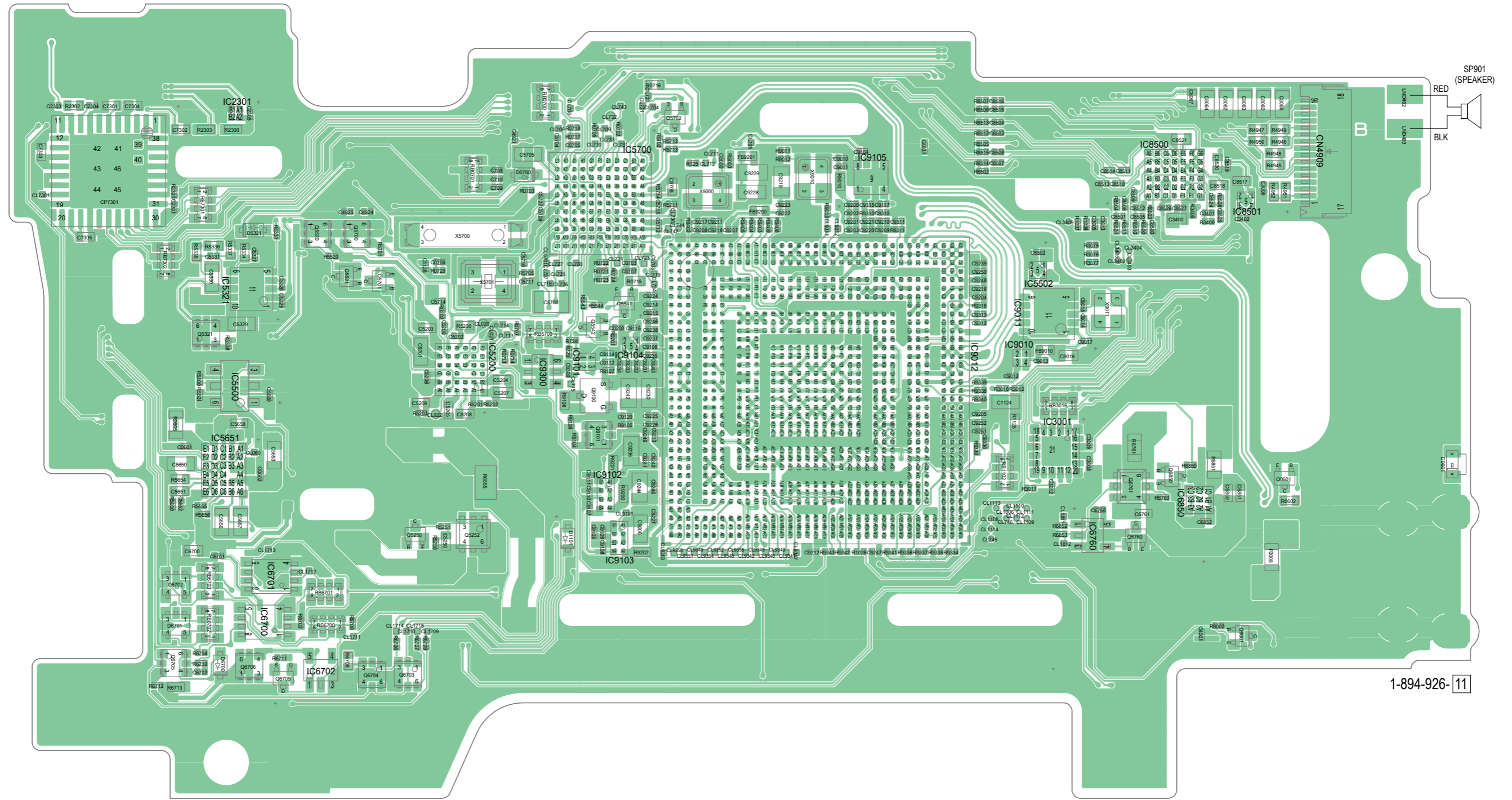
1-894-762-11

SY-1066 BOARD (SIDE A)



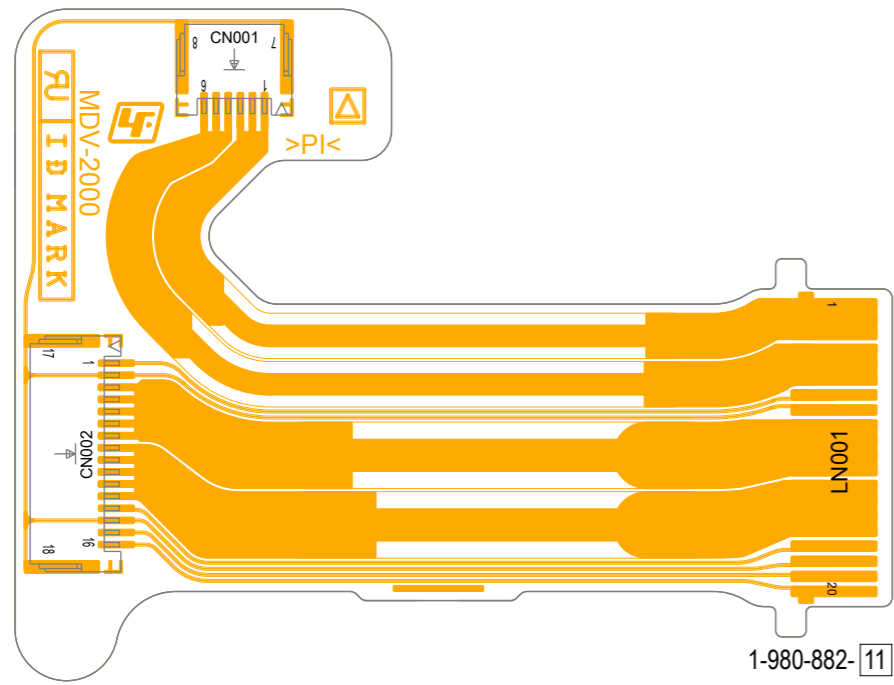
1-894-926-11

SY-1066 BOARD (SIDE B)

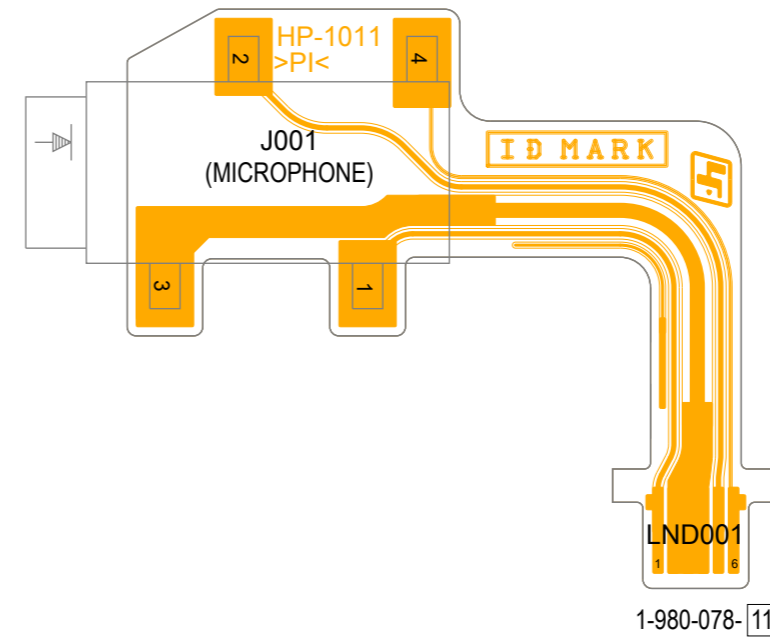


1-894-926-11

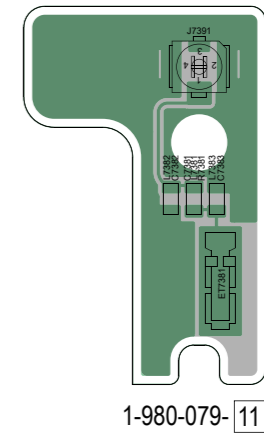
MDV-2000 FLEXIBLE BOARD



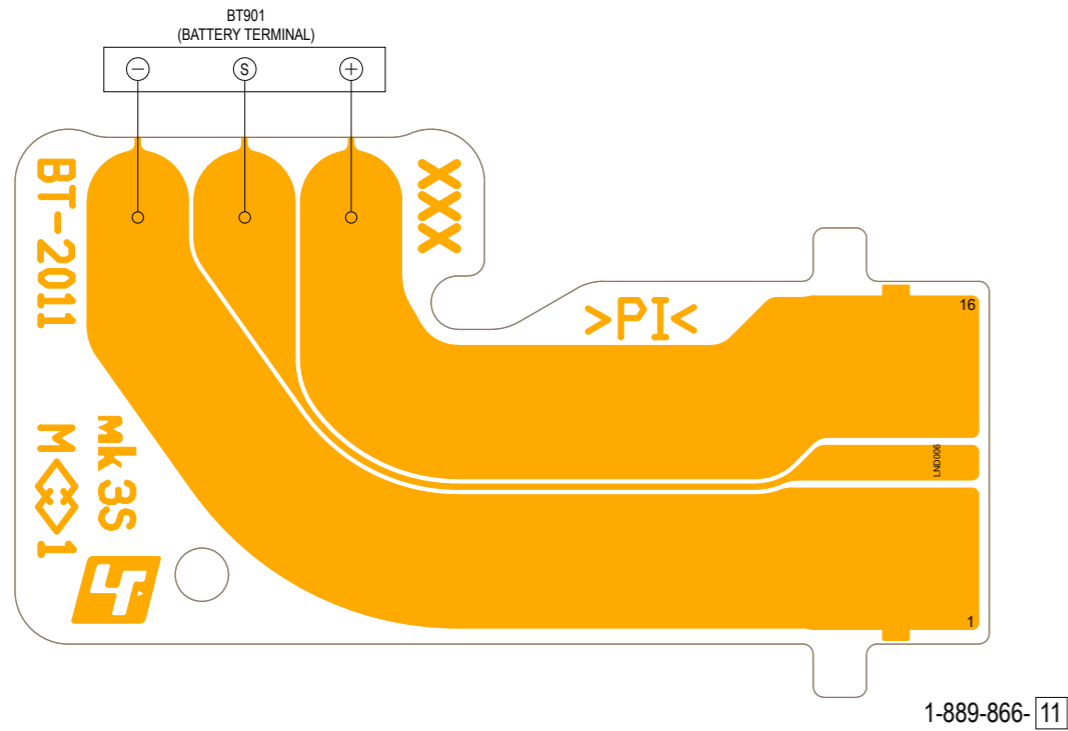
HP-1011 FLEXIBLE BOARD



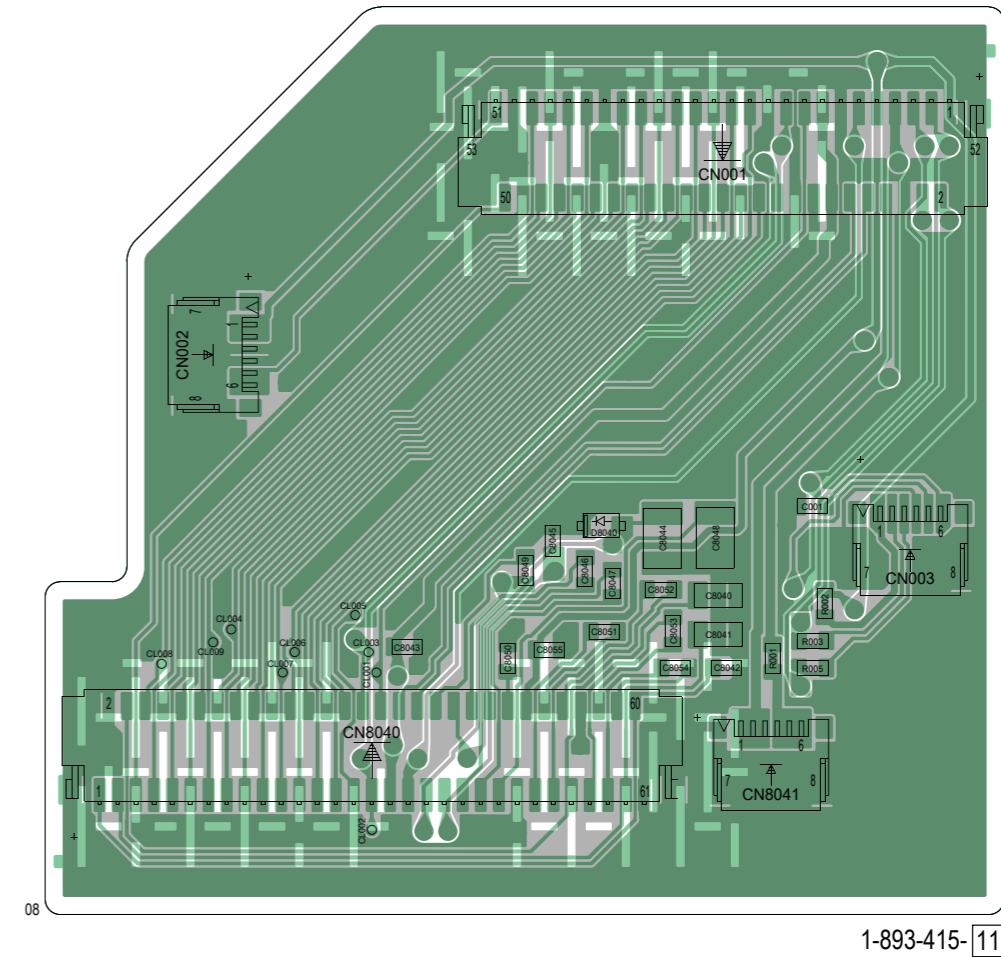
AN-1020 BOARD



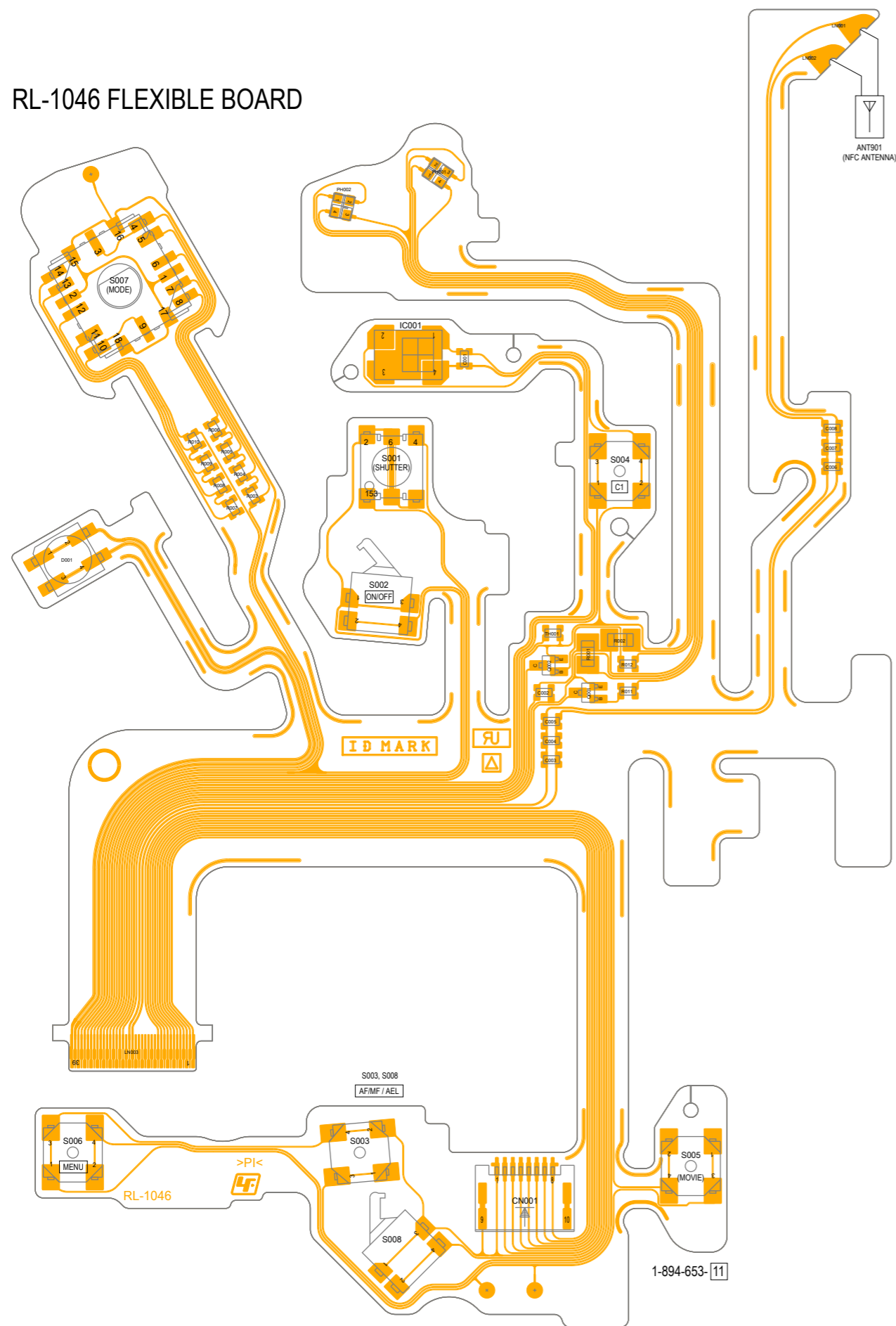
BT-2011 FLEXIBLE BOARD



LC-1022 BOARD



RL-1046 FLEXIBLE BOARD



MIS-2003 FLEXIBLE BOARD

